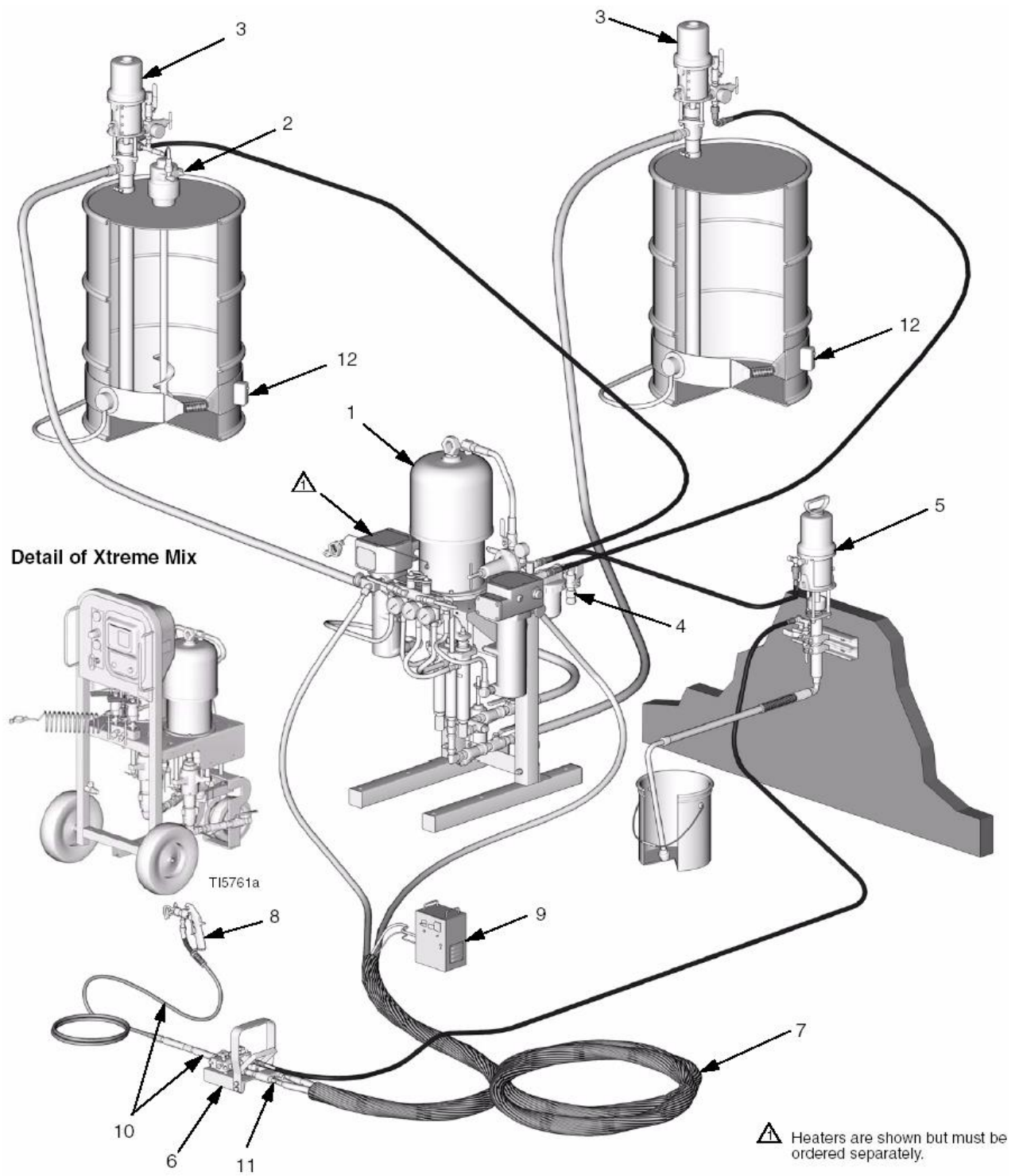


# Руководство по заказу запасных частей



### 248835 Series A, 2:1 Mix Ratio Hydra-Cat System (shown)

### 248836 Series A, 3:1 Mix Ratio Hydra-Cat System

### 248841 Series A, 360 Xtreme Mix System

Ref. No.	Part No.	Description	Qty.	Ref. No.	Part No.	Description	Qty.
1	234932	PROPORTIONER, King, 2:1; see 310795, 310796; 248835 only	1	8d	189018	. SWIVEL, gun	1
	234933	PROPORTIONER, King, 3:1; see 310795, 310796; 248836 only	1	9	248921	KIT, control, heated hose; see 310798	1
	248842	PROPORTIONER, Xtreme Mix; see 309518, 309535	1	10	248925	KIT, static mixer/whip hose; includes items 10a-10f	1
2	248824	KIT, agitator; see 310863	1	10a	15E592	. TUBE, static mixer	2
3	248825	KIT, feed pump; see 310863	2	10b	248927	. MIXER, static; package of 25	1
4	248827	KIT, air supply; see 309827	1	10c	H52506	. HOSE, whip, fluid; nylon; 1/4 in. (6.3 mm) ID; 1/4 npsm(fbe); 6 ft (1.8 m)	2
5	248826	KIT, flush, solvent; see 310863	1	10d	162453	. NIPPLE; 1/4 npt x 1/4 npsm	1
6	248923	KIT, mix manifold, remote; see 310797	1	10e	157705	. ADAPTER, swivel; 1/4 npt(m) x 3/8 npsm(f)	1
7	248907	HOSE, heated; see 309572	1	10f	156173	. UNION, swivel; 3/8 npt(f) x 3/8 npsm(f)	1
8	248844	KIT, gun; includes items 8a-8d	1	11	248926	SENSOR, fluid temperature	1
8a	246468	. GUN, spray, airless; see 309741	1	12	15F028	HEATER, drum; 230 Vac; 1000 W	2
8b	GHD531	. TIP, spray	1				
8c	222674	. KIT, tip guard, HD RAC	1				

# Parts

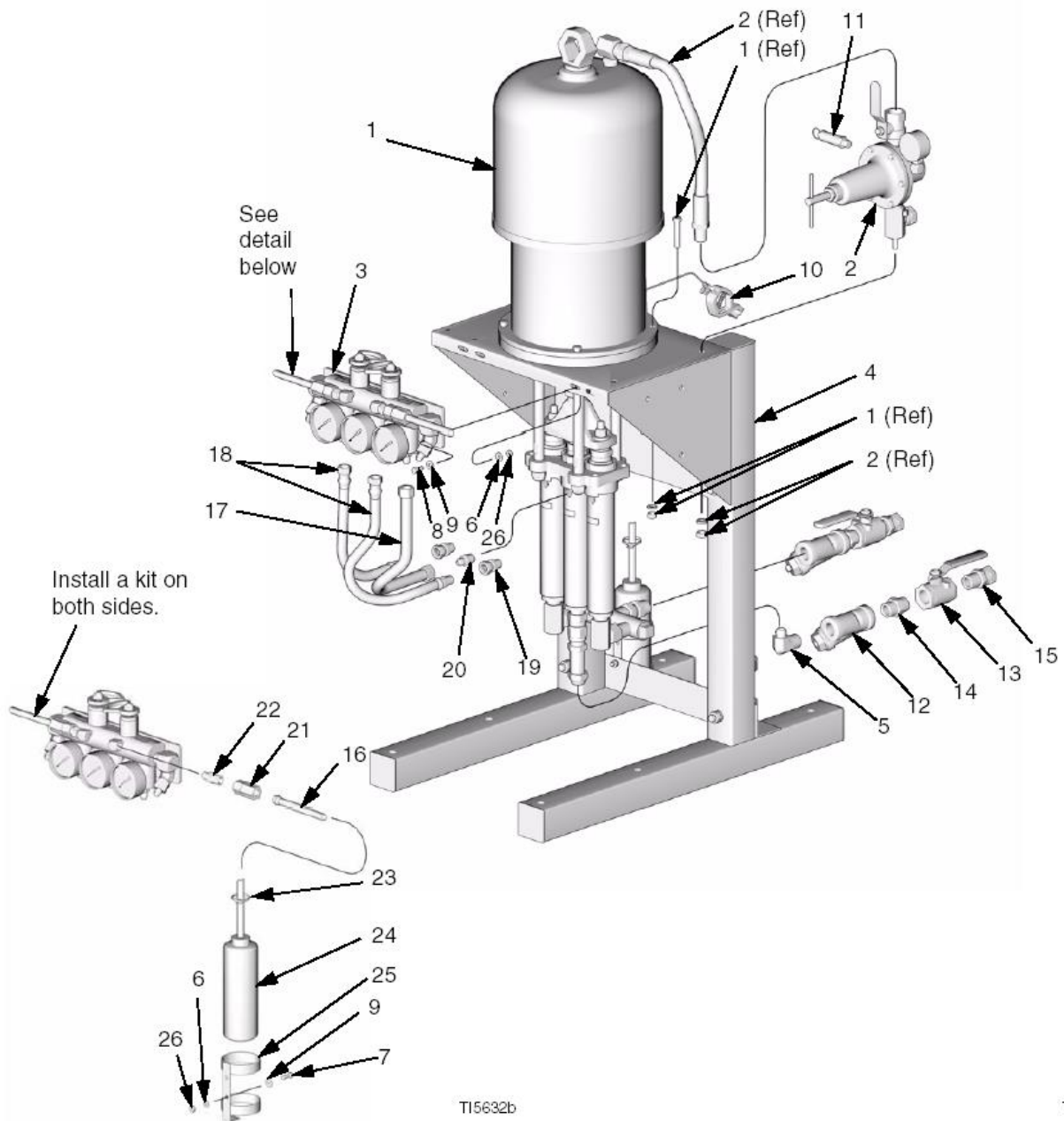
## Stand Mount Proportioners

234931 Series A, 1:1 Mix Ratio

234932 Series A, 2:1 Mix Ratio

234933 Series A, 3:1 Mix Ratio

234934 Series A, 4:1 Mix Ratio



## Stand Mount Proportioners

234931 Series A, 1:1 Mix Ratio

234932 Series A, 2:1 Mix Ratio

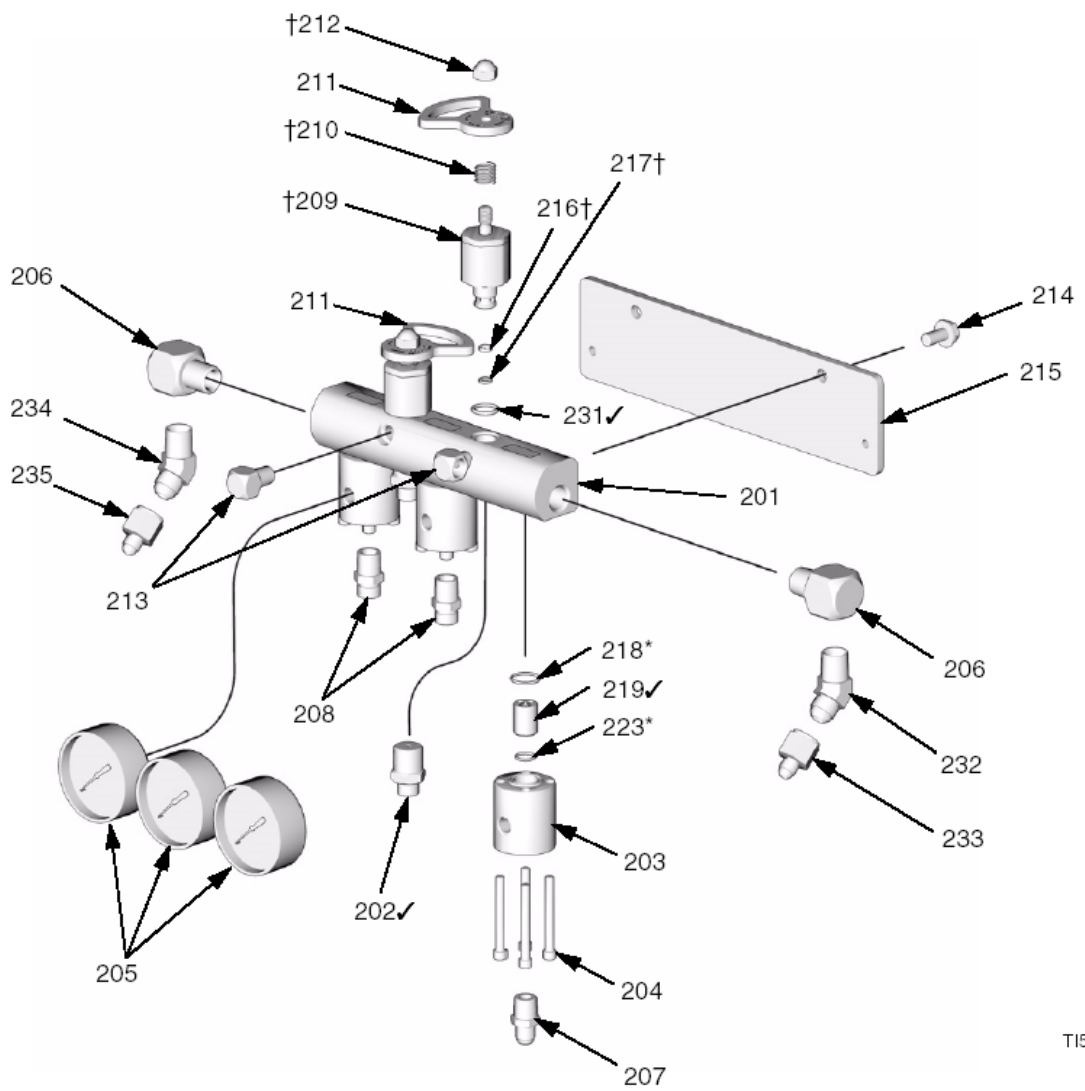
234933 Series A, 3:1 Mix Ratio

234934 Series A, 4:1 Mix Ratio

Ref. No.	Part No.	Description	Qty.	Ref. No.	Part No.	Description	Qty.
1	234921	PUMP, proportioner; 234931; see page 20	1	14	C20487	NIPPLE; 3/4 npt	2
	234922	PUMP, proportioner; 234932; see page 20	1	15	157785	UNION, swivel; 3/4 npt(m) x 3/4 npsm(f)	2
	234923	PUMP, proportioner; 234933; see page 20	1	16	190738	TUBE; nylon; 3/8 in. (10 mm) ID; 1/2 in. (13 mm) OD; 36 in. (915 mm)	2
	234924	PUMP, proportioner; 234934; see page 20	1	17	15E601	HOSE, hardener; PTFE, braided sst; 16-1/2 in. (419 mm)	1
2	207651	KIT, air regulator; see 308168	1	18	198847	HOSE, resin; 3/8 npt(m) x 3/8 npsm(f); 3/8 in. (10 mm) ID; nylon, with steel braid; 13 in. (330 mm); 234931 only	1
3	248780	MANIFOLD, fluid, two pump; 234931 only; see page 22	1		198847	HOSE, resin; 3/8 npt(m) x 3/8 npsm(f); 3/8 in. (10 mm) ID; nylon, with steel braid; 13 in. (330 mm); 234932, 234933, and 234934	2
	248779	MANIFOLD, fluid, three pump; 234932, 234933, and 234934; see page 22	1	19	155665	UNION, adapter; 3/8 npt(m) x 3/8 npsm(f); 234931 only	1
4	241693	KIT, stand; see page 24	1		155665	UNION, adapter; 3/8 npt(m) x 3/8 npsm(f); 234932, 234933, and 234934	2
5	160327	ELBOW, swivel; 3/4 npt(m) x 3/4 npsm(f)	2	20	112100	ADAPTER; 3/8 npt(m) x 9/16-18 unf-2a	1
6	100016	WASHER, lock; 1/4	4	21	205439	COUPLING; 3/8 npsm(f) x 3/8 in. (10 mm) ID tube	2
7	100022	SCREW, cap, hex hd; 1/4-20 x 3/4 in. (19 mm)	2	22	165198	NIPPLE, reducing; 3/8 npt x 1/4 npt	2
8	100021	SCREW, cap, hex hd; 1/4-20 x 1 in. (25 mm)	2	23	112278	WRAP, tie	2
9	110755	WASHER, plain	6	24	112279	BOTTLE	2
10	244524	GROUND WIRE	1	25	236272	HOLDER, bottle	2
11	108124	VALVE, safety relief; 234931 only	1	26	100015	NUT, hex; 1/4-20	4
	103347	VALVE, safety relief; 234932, 234933, and 234934	1				
12	101078	Y-STRAINER; includes item 12a	2				
12a	180199	. ELEMENT, 20 mesh; not shown	1				
13	109077	VALVE, ball; 3/4 npt (fbc)	2				

248779 Fluid Manifold, 3 pump; includes items 201-223, 231-235 (shown)

248780 Fluid Manifold, 2 pump; includes items 201-235



**248779 Fluid Manifold, 3 pump; includes items 201-223, 231-235 (shown)**

**248780 Fluid Manifold, 2 pump; includes items 201-235**

Ref. No.	Part No.	Description	Qty.	Ref. No.	Part No.	Description	Qty.
201	15E152	MANIFOLD, fluid	1	216†	193709	SEAT, valve	2
202✓	248177	HOUSING, rupture disk	2	217†	193710	SEAL, seat; nylon	2
203	15E182	HOUSING, check valve; 248779	3	218*	110135	O-RING; TFE	3
	15E182	HOUSING, check valve; 248780	2	219✓	249035	CHECK VALVE; 248779	3
204	C19817	SCREW, cap, socket hd; 1/4-20 x 2-1/4 in. (57 mm); 248779	12		249035	CHECK VALVE; 248780	2
	C19817	SCREW, cap, socket hd; 1/4-20 x 2-1/4 in. (57 mm); 248780	8	223*	104319	O-RING; TFE; 248779	3
205	114434	GAUGE, pressure, fluid; 248779	3		104319	O-RING; TFE; 248780	2
	114434	GAUGE, pressure, fluid; 248780	2	229	112166	SCREW, cap, socket hd; 1/4-20 x 3/4 in. (19 mm); 248780 only (not shown)	4
206	158683	ELBOW; 1/2 npt (m x f)	2	230	15E183	PLUG, manifold; 248780 only (not shown)	1
207	112100	ADAPTER; 3/8 npt(m) x 9/16-18 unf-2a	1	231✓	158674	O-RING; buna-N	2
208	162485	NIPPLE; 3/8 npt x 3/8 npsm; 248779	2	232	117556	NIPPLE; #8 JIC x 1/2 npt	1
	162485	NIPPLE; 3/8 npt x 3/8 npsm; 248780	1	233	117502	REDUCER; #5 JIC x #8 JIC	1
209†	246161	VALVE, drain, cartridge	2	234	117557	NIPPLE; #10 JIC x 1/2 npt	1
210†	114708	SPRING	2	235	117677	REDUCER; #6 JIC x #10 JIC	1
211	15E181	HANDLE, valve, interlocking	2				
212†	117623	NUT, cap; 3/8-16	2				
213	100840	ELBOW, street; 1/4 npt (m x f)	2				
214	112395	SCREW, cap, flange hd; 3/8-16 x 3/4 in. (19 mm)	2				
215	15E144	PLATE, mounting, manifold	1				

\* Parts included in Check Valve Kit 249035.

† Parts included in Repair Kit 246842.

✓ Recommended spare parts. Keep on hand to avoid downtime.

## Proportioner Pumps

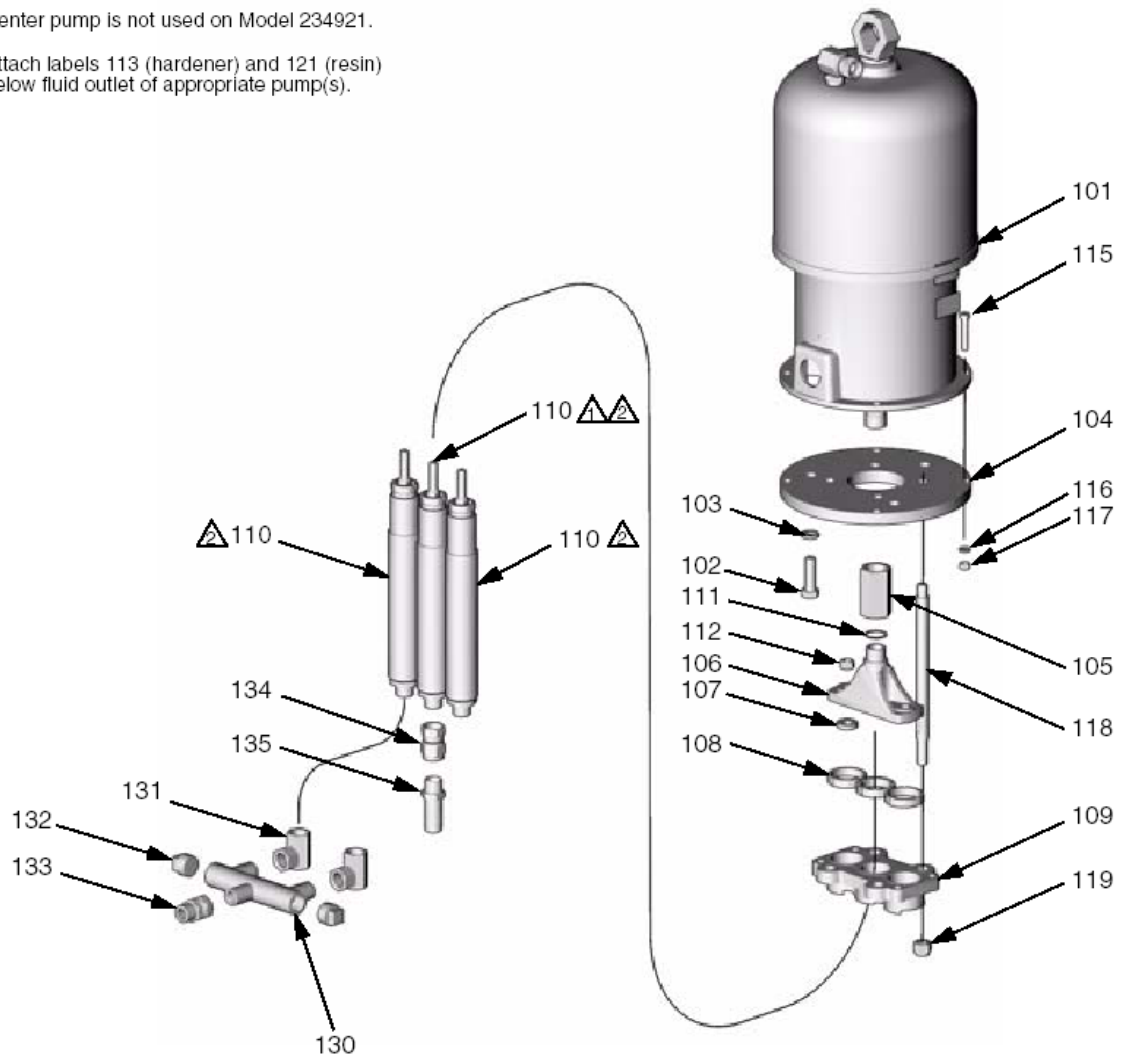
234921 Series A, 1:1 Mix Ratio, with two displacement pumps

234922 Series A, 2:1 Mix Ratio, with three displacement pumps

234923 Series A, 3:1 Mix Ratio, with three displacement pumps

234924 Series A, 4:1 Mix Ratio, with three displacement pumps

- ⚠ Center pump is not used on Model 234921.
- ⚠ Attach labels 113 (hardener) and 121 (resin) below fluid outlet of appropriate pump(s).



## Proportioner Pumps

234921 Series A, 1:1 Mix Ratio, with two displacement pumps

234922 Series A, 2:1 Mix Ratio, with three displacement pumps

234923 Series A, 3:1 Mix Ratio, with three displacement pumps

234924 Series A, 4:1 Mix Ratio, with three displacement pumps

Ref. No.	Part No.	Description	Qty.	Ref. No.	Part No.	Description	Qty.
101	245111	MOTOR, air, King; see 309347	1	115	100468	SCREW, cap, hex hd; 3/8-16 x 2 in. (51 mm)	4
102	100428	SCREW, cap, hex hd; 5/8-11 x 2 in. (51 mm)	3	116	100133	WASHER, lock; 3/8	4
103	100128	WASHER, lock; 5/8	3	117	100307	NUT, hex; 3/8-16	4
104	171122	PLATE, adapter	1	118	168455	ROD, tie	4
105	172726	COUPLER	1	119	101712	NUT, lock; 5/8-11	4
106	164414	YOKE, connecting tube	1	121▲	188975	LABEL, resin	2
107	164416	WASHER, flat; 234921 only	2	130	208334	MANIFOLD; 1 in. npt(f) run; 3/4 npt(f) branches; 234922, 234923, 234924 only	1
	164416	WASHER, flat; 234922, 234923, and 234924	3	131	156589	UNION, adapter, 90°; 3/4 npt(f) x 3/4 npsm(f)	2
108	164417	NUT, lock, pump	2	132	100345	PLUG, pipe; 1 in. npt	2
109	164413	PLATE, tie	1	133	157785	SWIVEL; 3/4 npt(m) x 3/4 npsm(f)	1
110	see table	PUMP, displacement; 234921 only; see 307944	2	134	156172	UNION, swivel; 3/4 npt(f) x 3/4 npsm(f)	1
	see table	PUMP, displacement; 234922, 234923, 234924 only; see 307944	3	135	157129	NIPPLE; 3/4 npt	1
111	150429	GASKET, copper	1	▲ Replacement Danger and Warning labels, tags, and cards are available at no cost.			
112	101926	NUT, lock; 1/2-20	2				
113▲	188974	LABEL, hardener	1				

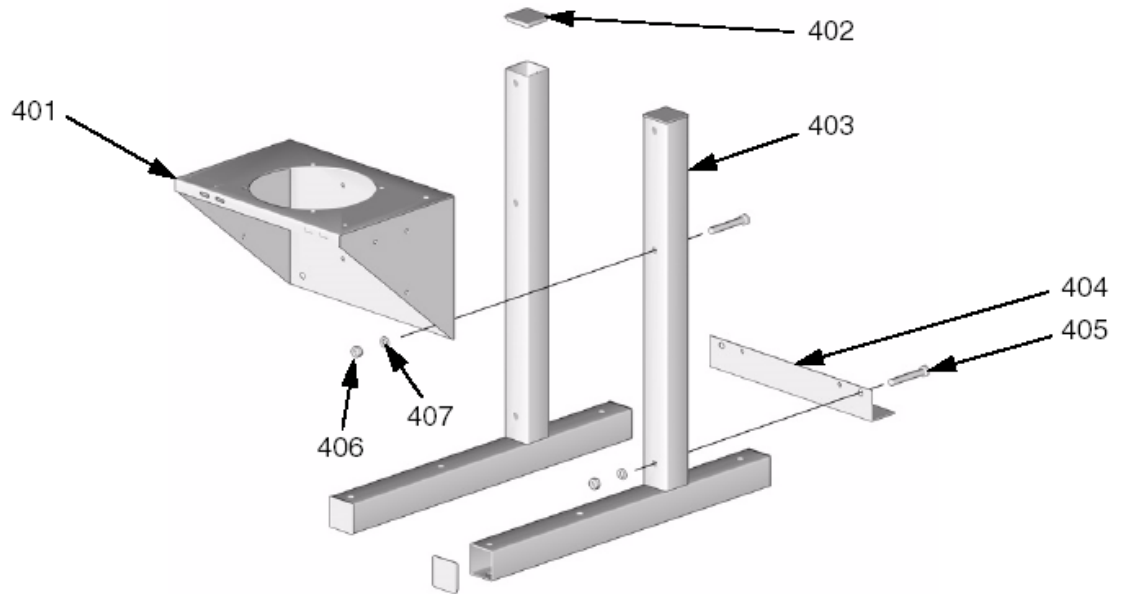
Ref. No.110 Displacement Pump Table

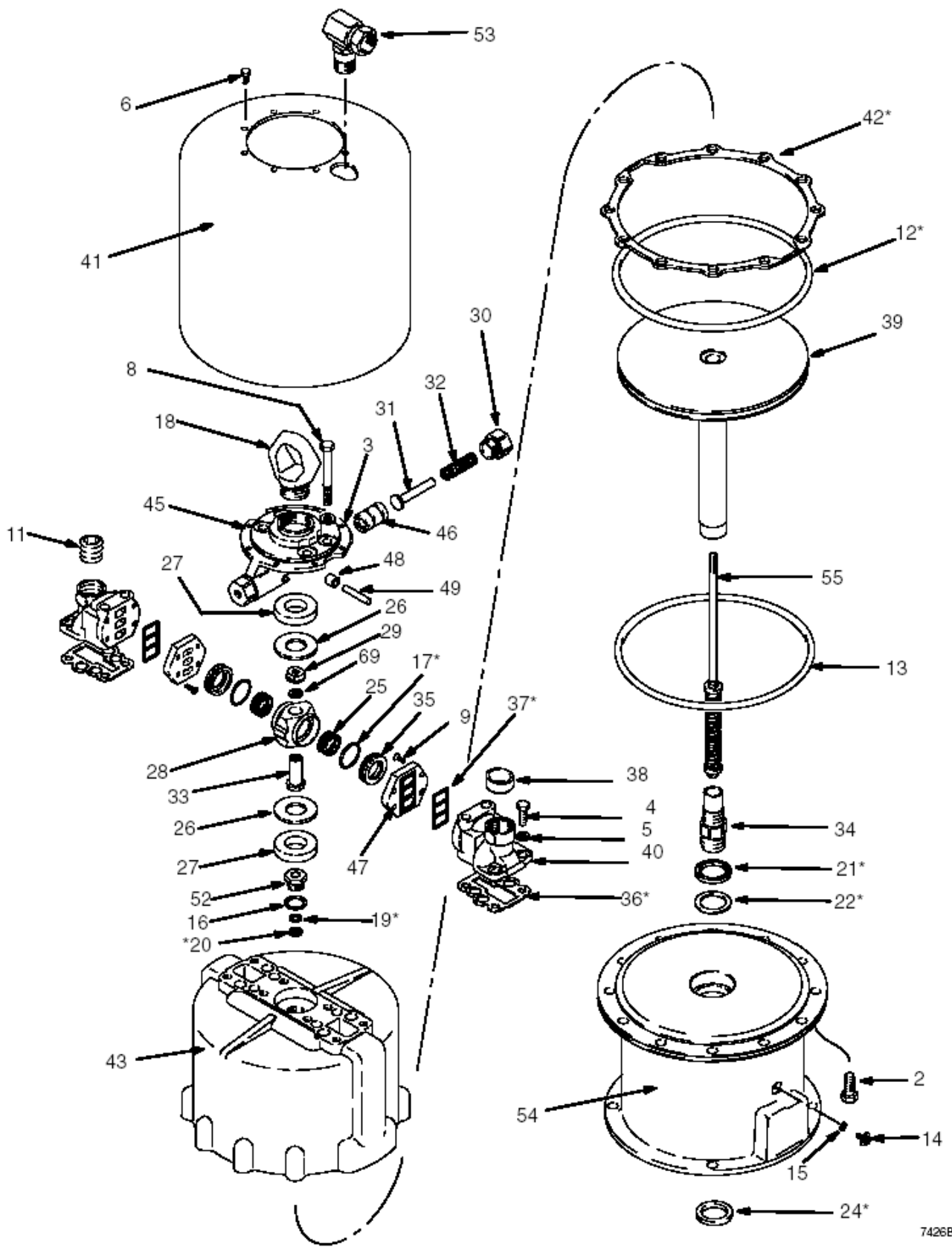
Model	Left Pump			Center Pump			Right Pump		
	Pump Part No.	Description	Qty	Pump Part No.	Description	Qty	Pump Part No.	Description	Qty
234921	222012	Resin (A) Pump	1	Not Used			222012	Hardener (B) Pump	1
234922	222012	Resin (A) Pump	1	222012	Hardener (B) Pump	1	222012	Resin (A) Pump	1
234923	222012	Resin (A) Pump	1	222017	Hardener (B) Pump	1	222012	Resin (A) Pump	1
234924	222012	Resin (A) Pump	1	222019	Hardener (B) Pump	1	222012	Resin (A) Pump	1



## 241693 Stand Kit

Ref. No.	Part No.	Description	Qty.
401	236061	BRACKET, mounting	1
402	168422	CAP, square	6
403	217297	LEG, frame	2
404	178473	BRACE, frame	1
405	100679	SCREW, cap, hex hd; 1/2-13 x 3-1/2 in. (89 mm)	6
406	100321	NUT, hex; 1/2-13	6
407	100018	WASHER, lock; 1/2	6





**Model 245111 Standard King Motor**  
**King Motor standard modèle 245111**  
**Modell 245111 Standardmäßiger King-Motor**  
**Modelo 245111, motor King estándar**

Ref. No.	Part No.	Description	Qty.	Ref. No.	Part No.	Description	Qty.
2	100424	SCREW, cap 1/2"-13 X 1.25 HHCS	12	32	161589	SPRING, compression	2
3	100052	WASHER, lock 3/8"	4	33	176568	BUSHING, trip rod	1
4	100101	SCREW, cap 3/8"-16 X 1.0 HHCS	4	34	176564	STUD, rod, piston	1
5	100133	WASHER, lock 3/8"	4	35	168182	VALVE, director, air	2
6	113161	SCREW, slot 1/4"-20 X .5 HHCS	8	36*	168183	GASKET, manifold	2
8	101713	SCREW, cap 7/16"-14 X 3.5 HHCS	4	37*	168184	SEAL, plate	2
9	101716	SCREW 10-24 X .6 FLH	8	38	168185	GROMMET, air inlet	1
11	102726	PLUG, pipe 3/4" NPT	1	39	245114	PISTON, air	1
12*	102727	O-RING, packing	1	40	168187	MANIFOLD, air	2
13	102737	O-RING, packing	1	41	168188	SHIELD, motor	1
16	150647	GASKET, metallic	1	42*	168189	GASKET, motor	1
17*	156698	O-RING, packing	2	43	168191	CYLINDER, motor	1
18	180952	RING, lift	1	45	177664	HOUSING, detent, motor	1
19*	161559	WASHER, backup	1	46	169583	PLUNGER, roller	2
20*	161560	PACKING, vee	1	47	169584	PLATE, valve, air	2
21*	161562	PACKING, vee	1	48	169585	ROLLER	2
22*	161563	PACKING, back-up	1	49	169586	AXLE, detent	2
24*	161569	SEAL, wiper, felt	1	52	215933	BEARING, sleeve	1
25	161575	SPRING, compression	2	53	207648	UNION, adapter	1
26	161576	WASHER, thrust	2	54	245115	BASE	1
27	161577	BUMPER, air motor	2	55	218597	TRIP ROD	1
28	161585	HOUSING, valve slide	1	67Δ	290331	LABEL, warning	1
29	176569	NUT, trip rod	1	68Δ	189991	LABEL, warning	1
30	161587	RETAINER, spring	2	69	105319	WASHER, lock, spring	1
31	161588	GUIDE, latch, spring	2				

Δ Replacement Danger and Warning labels, tags and cards are available at no cost.

Δ Des étiquettes, plaques et fiches de danger et de mise en garde de rechange sont mises à disposition gratuitement.

Δ Zusätzliche Gefahren- und Warnschilder, Aufkleber und Karten sind kostenlos erhältlich.

Δ Se encuentran disponibles etiquetas de peligro y de advertencia, adhesivos y tarjetas de recambio sin cargo alguno.

\* These parts are included in repair kit 207730 which may be purchased separately.

\* Ces pièces sont comprises dans le kit de réparation 207730 qui peut être acheté séparément.

\* Diese Teile sind im Reparatursatz 207730 enthalten, der separat zu bestellen ist.

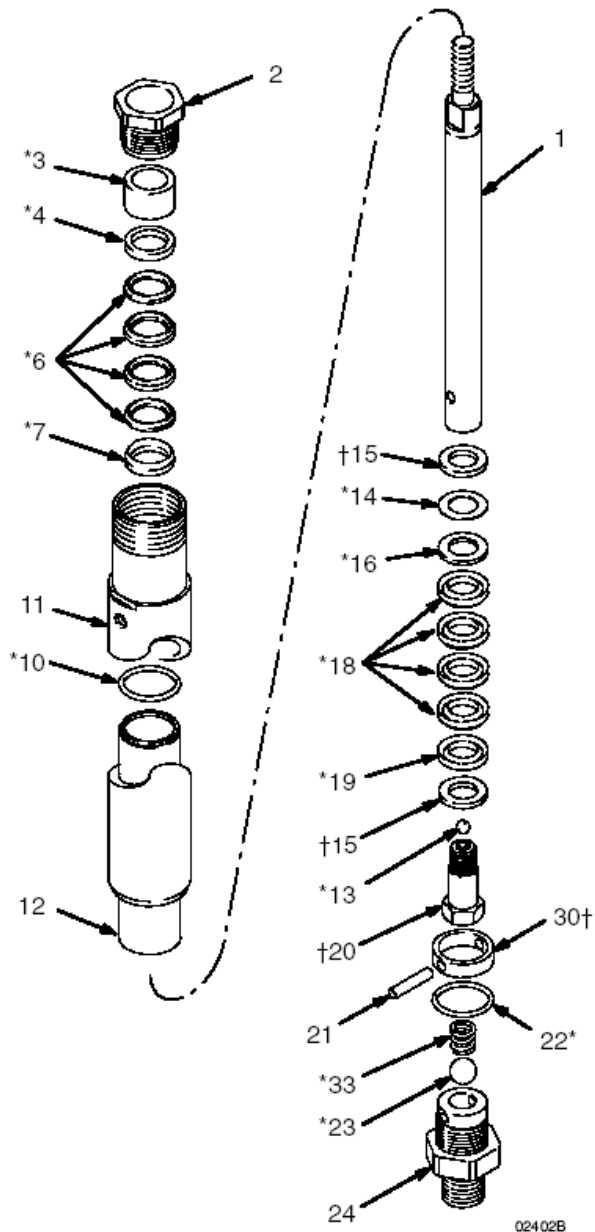
\* Estas piezas se incluyen en el kit de reparación 207730, que puede ser adquirido por separado.

**Always use genuine Graco parts.**

**Toujours utiliser les pièces d'origine Graco.**

**Nur original Graco-Teile verwenden.**

**Utilice siempre piezas y accesorios originales Graco.**



### Model 222012, Series C

Ref. No.	Part No.	Description	Qty.
1	181513	ROD, displacement; sst	1
2	192174	NUT, packing; cst	1
3*	188402	SPACER, packing; sst	1
4*	181725	GLAND, female; cst	1
6*	183757	V-PACKING; Teflon®	4
7*	181726	GLAND, male; cst	1
10*	109115	O-RING; Teflon®	1
11	181649	CYLINDER, pump; cst	1
12	181510	SLEEVE, cylinder; sst	1
13*	101823	BALL; 5/16" dia.; sst	1
14*	189314	SHIM; sst	8
15†	176107	WASHER, back-up; cst	2
16*	181664	GLAND, male; cst	1
18*	165104	V-PACKING; Teflon®	4
19*	181663	GLAND, female; cst	1
20†	205383	STUD, piston; cst, w/carbide seat	1
21	165049	PIN, stop, ball; sst	1
22*	109176	O-RING; Teflon®	1
23*	100064	BALL; 5/8" dia.; cst	1
24	220297	HOUSING, valve, intake; cst, w/carbide seat	1
30†	185265	RETAINER, o-ring; sst	1
33*	510956	SPRING, compression	1

\* These parts are also included in Repair Kit 236597, which may be purchased separately.

† Keep these spare parts on hand to reduce down time.

### Model 222015, Series B

Ref. No.	Part No.	Description	Qty.
1	181656	ROD, displacement; sst	1
2	192174	NUT, packing; cst	1
3*	181655	BEARING, sleeve; acetal	1
4*	181652	GLAND, female; cst	1
6*	183758	V-PACKING; Teflon®	4
7*	181651	GLAND, male; cst	1
10*	109115	O-RING; Teflon®	1
11	181649	CYLINDER, pump; cst	1
12	181509	SLEEVE, cylinder; sst	1
13*	101823	BALL; 5/16" dia.; sst	1
14*	188204	SHIM; sst	8
15†	176108	WASHER, back-up; cst	2
16*	181724	GLAND, male; cst	1
18*	183760	V-PACKING; Teflon®	4
19*	181723	GLAND, female; cst	1
20†	205386	STUD, piston; cst, w/carbide seat	1
21	165049	PIN, stop, ball; sst	1
22*	109176	O-RING; Teflon®	1
23*	100064	BALL; 5/8" dia.; cst	1
24	220297	HOUSING, valve, intake; cst, w/carbide seat	1
30†	185265	RETAINER, o-ring; sst	1
33* @	510956	SPRING, compression	1

\* These parts are also included in Repair Kit 236598, which may be purchased separately.

† Keep these spare parts on hand to reduce down time.

@ If this pump is being used in a VRHM system, spring 501095 is used. Purchase separately for repair.

### Model 222017, Series C

Ref. No.	Part No.	Description	Qty.
1	181660	ROD, displacement; sst	1
2	192174	NUT, packing; cst	1
3*	181659	BEARING, sleeve; acetal	1
4*	181719	GLAND, female; cst	1
6*	183861	V-PACKING; Teflon®	4
7*	181720	GLAND, male; cst	1
10*	109115	O-RING; Teflon®	1
11	181649	CYLINDER, pump; cst	1
12	181508	SLEEVE, cylinder; sst	1
13*	101823	BALL; 5/16" dia.; sst	1
14*	188204	SHIM; sst	8
15†	164391	WASHER, back-up; cst	2
16*	181722	GLAND, male; cst	1
18*	183759	V-PACKING; Teflon®	4
19*	181721	GLAND, female; cst	1
20†	205388	STUD, piston; cst, w/carbide seat	1
21	165049	PIN, stop, ball; sst	1
22*	109176	O-RING; Teflon®	1
23*	100064	BALL; 5/8" dia.; cst	1
24	220297	HOUSING, valve, intake; cst, w/carbide seat	1
30†	185265	RETAINER, o-ring; sst	1
33*®	510956	SPRING, compression	1

\* These parts are also included in Repair Kit 236595, which may be purchased separately.

† Keep these spare parts on hand to reduce down time.

® If this pump is being used in a VRHM system, spring 501095 is used. Purchase separately for repair.

### Model 222019, Series B

Ref. No.	Part No.	Description	Qty.
1	181512	ROD, displacement; sst	1
2	192174	NUT, packing; cst	1
3*	181645	BEARING, sleeve; acetal	1
4*	181718	GLAND, female; cst	1
6*	183761	V-PACKING; Teflon®	4
7*	181717	GLAND, male; cst	1
10*	109115	O-RING; Teflon®	1
11	181649	CYLINDER, pump; cst	1
12	181507	SLEEVE, cylinder; sst	1
13*	101823	BALL; 5/16" dia.; sst	1
14*	189315	SHIM; sst	8
15†	176109	WASHER, back-up; cst	2
16*	181646	GLAND, male; cst	1
18*	165109	V-PACKING; Teflon®	4
19*	181647	GLAND, female; cst	1
20†	207923	STUD, piston; cst, w/carbide seat	1
21	165049	PIN, stop, ball; sst	1
22*	109176	O-RING; Teflon®	1
23*	100064	BALL; 5/8" dia.; cst	1
24	220297	HOUSING, valve, intake; cst, w/carbide seat	1
30†	185265	RETAINER, o-ring; sst	1
33*	510956	SPRING, compression	1

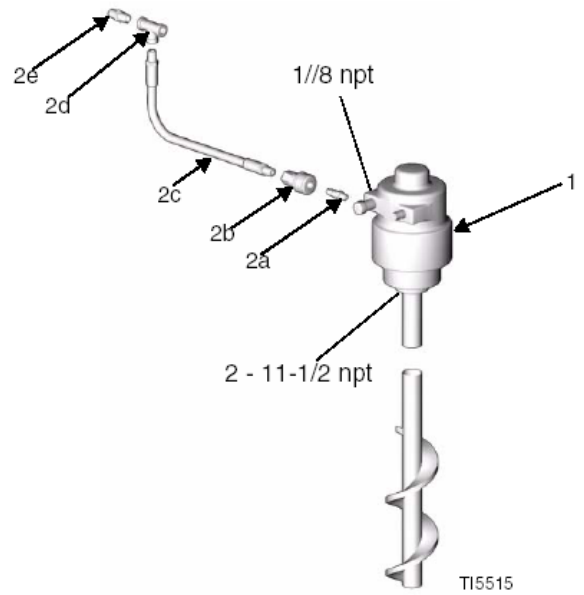
\* These parts are also included in Repair Kit 236596, which may be purchased separately.

† Keep these spare parts on hand to reduce down time.

# Parts

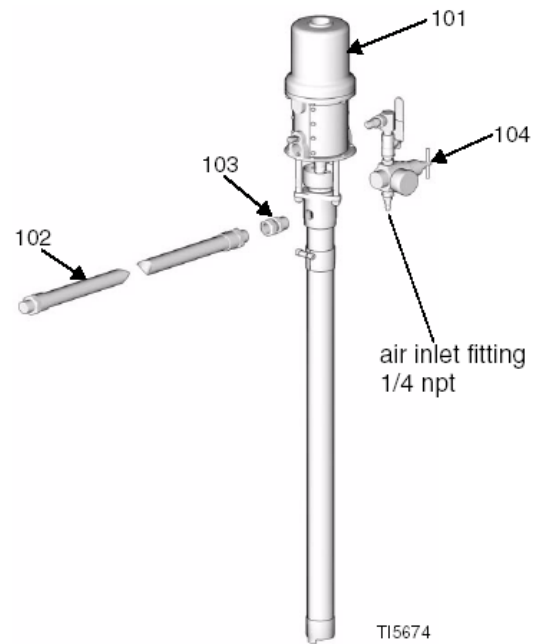
## Part No. 248824, Agitator Kit with Air Connection

Ref. No.	Part No.	Description	Qty.
1	224854	AGITATOR, helix; see 308175	1
2	249002	KIT, air line, agitator	1
2a	169969	FITTING, air line	
2b	208536	COUPLER, air line	
2c	203266	HOSE, coupled, air	
2d	104984	TEE, pipe, 1/4 npt	
2e	156971	NIPPLE, short, 1/4 npt	



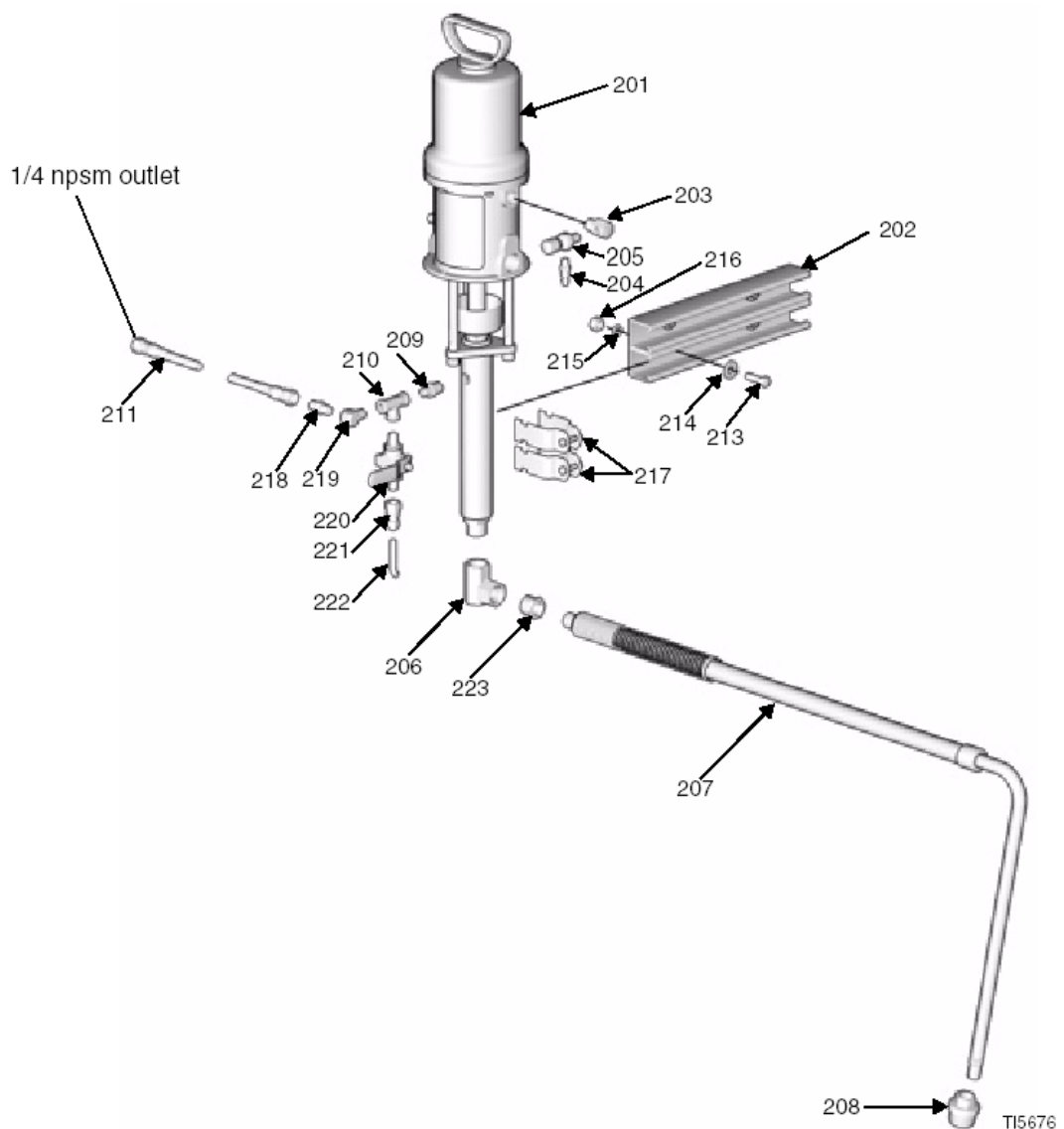
## Part No. 248825, Feed Kit, 5:1 Monark

Ref. No.	Part No.	Description	Qty.
101	218956	PUMP, Monark 5:1; see 307044	1
102	217382	HOSE, coupled, 10 ft (3.05 m) x 3/4 id	1
103	157785	FITTING, swivel, 3/4 npsm (m x f)	1
104	248829	REGULATOR KIT, air, feed pump	1

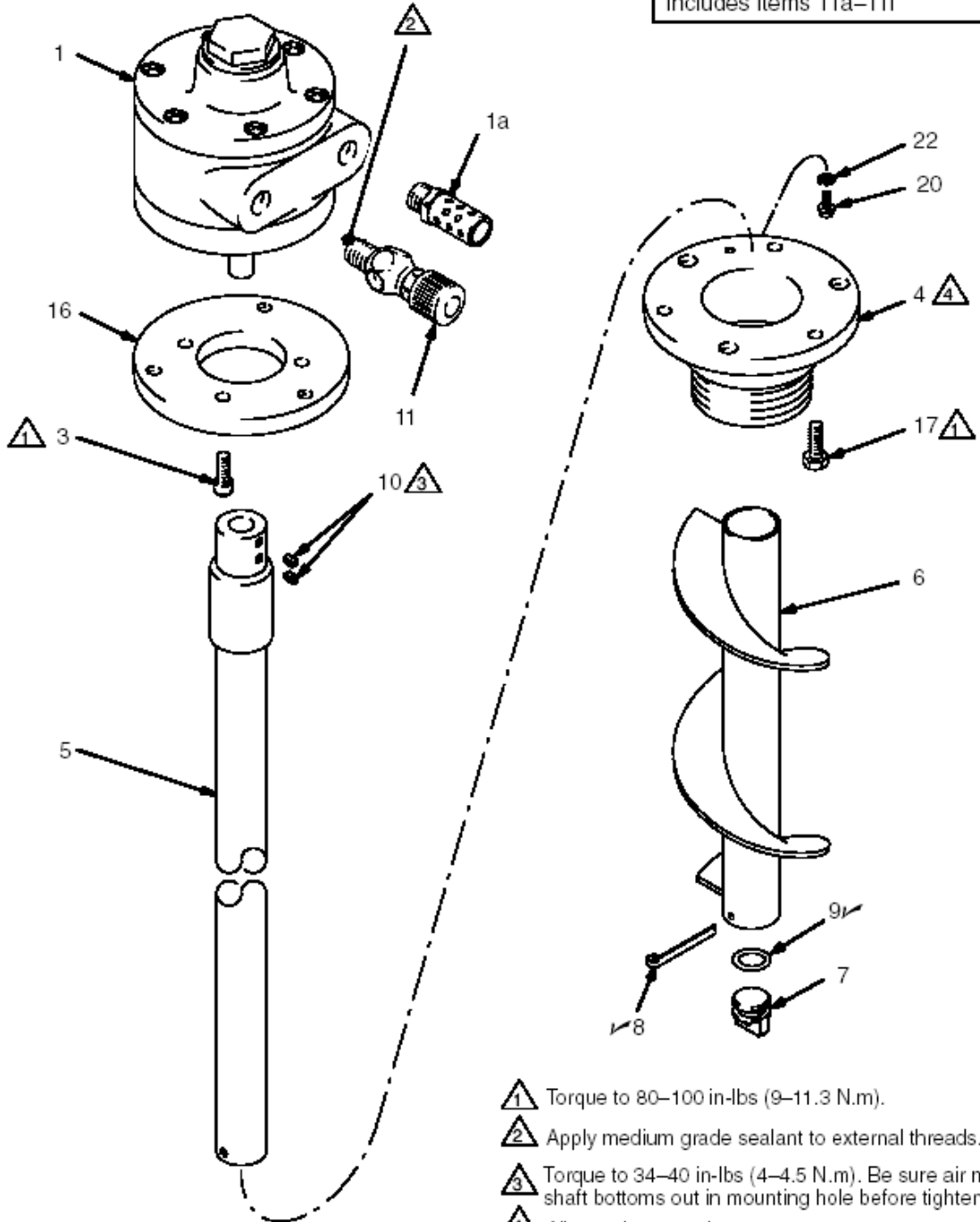
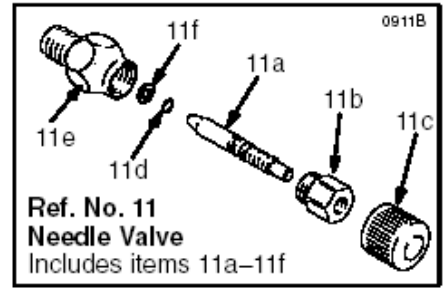


## Part No. 248826, Solvent Flush Kit

Ref. No.	Part No.	Description	Qty.	Ref. No.	Part No.	Description	Qty.
201	223596	PUMP, Monark, 23:1 (chrome); see 307619	1	210	104984	TEE, pipe	1
202	15E737	SUPPORT, clamp, solvent pump	1	211	223541	HOSE, coupled, 50 ft (15.24 m)	1
203	164259	ELBOW, street	1	213	100004	SCREW, cap, hex head	4
204	169969	FITTING, air line	1	214	100132	WASHER, flat	4
205	206264	VALVE, needle	1	215	100052	WASHER, lock	4
206	156589	FITTING, union, adapter, 90°	1	216	101213	NUT, full, hex	4
207	244354	HOSE, suction, (5-gallon pail)	1	217	15E756	CLAMP, unistrut mount, Monark	2
208	187651	STRAINER, 3/4-16 unf	1	218	156971	NIPPLE, short	1
209	157350	ADAPTER, 3/8 npt x 1/4 npt	1	219	100840	ELBOW, street	1
				220	238635	VALVE, ball, cs	1
				221	205447	COUPLING, hose	1
				222	061132	HOSE, nylon, wpr 225, 4 ft (1.22 m)	1
				223	100896	FITTING, bushing, pipe	1



**Model 235534 Twistork™ Helix Mixer**  
 Stainless Steel, Includes items 1 to 22



- ⚠ Torque to 80-100 in-lbs (9-11.3 N.m).
- ⚠ Apply medium grade sealant to external threads.
- ⚠ Torque to 34-40 in-lbs (4-4.5 N.m). Be sure air motor shaft bottoms out in mounting hole before tightening.
- ⚠ Align as instructed on page 7.



# Parts

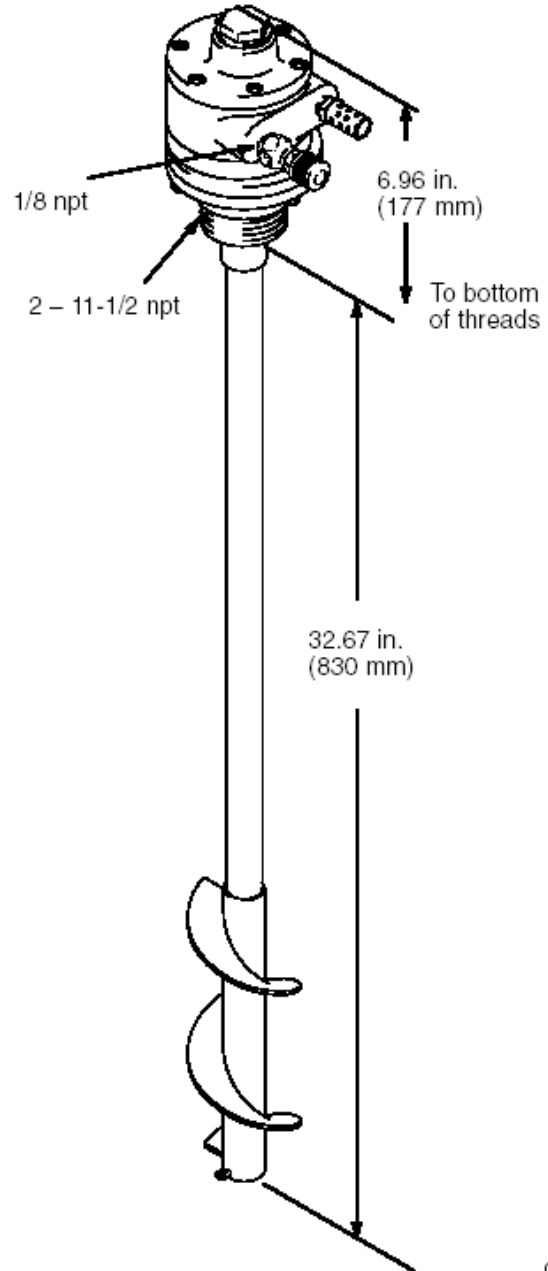
# Dimensions

## Model 235534 Twistork™ Helix Mixer Stainless Steel, Includes items 1 to 22

Ref. No.	Part No.	Description	Qty.
1*	111310	MOTOR, air; Includes item 1a	1
1a	113779	• MUFFLER, exhaust	1
3	101682	SCREW, cap, sch; 1/4-20 x 0.625	3
4	235535	HOUSING, outlet, stainless steel	1
5	235530	SHAFT, agitator, stainless steel	1
6	224393	HELIX, agitator	1
7	187054	PLUG, fluid tube	1
8✓	101946	PIN, cotter	1
9✓	111312	O-RING, Viton®	1
10	112364	SCREW, set, socket; 1/4-20 UNC 3A	2
11	206264	VALVE, needle <i>Includes items 11a to 11f</i>	1
11a	166529	.VALVE, needle	1
11b	166532	.NUT, packing	1
11c	164698	.KNOB, adjusting	1
11d	157628	.O-RING, packing	1
11e	165722	.BODY, valve	1
11f	166531	.WASHER	1
16	187577	PLATE, motor mounting	1
17	102023	SCREW, cap, hex hd; 1/4-20 x 0.75	3
20	111593	SCREW, grounding; hex, No. 8-32	1
22	157021	WASHER, lock	1

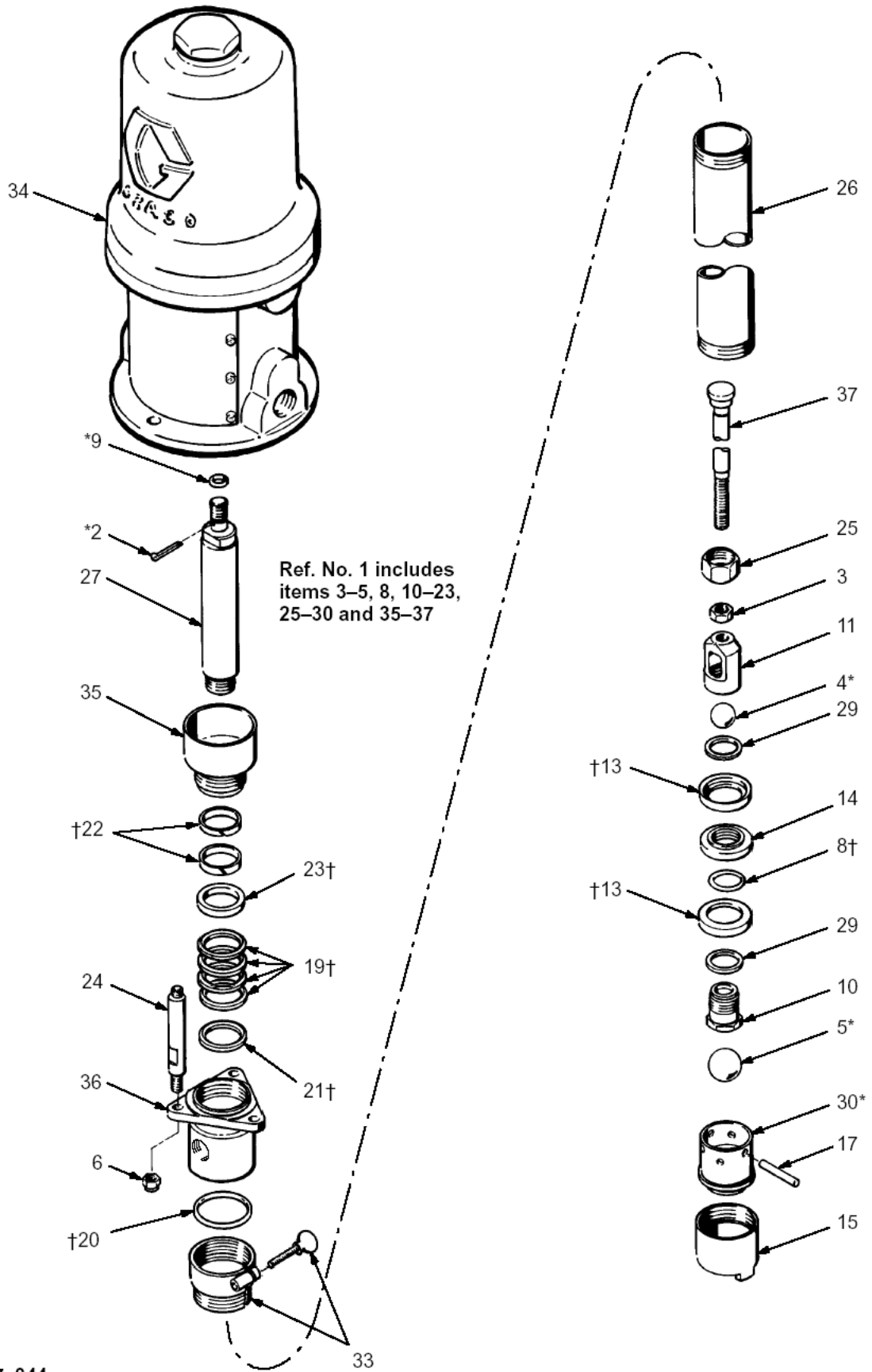
\* These parts are included in Repair Kit 224954, which may be purchased separately.

✓ Keep these spare parts on hand to reduce down time.



0908C

# Parts



# Parts

## Model 218–956, Series D

Includes items 1–37

Ref No.	Part No.	Description	Qty.	Ref No.	Part No.	Description	Qty.
1	220–465	DISPLACEMENT PUMP Series D Includes items 3–5, 8, 10–23, 25–30, and 35–37	1	20†	164–782	O-RING, PTFE	1
2*	100–103	PIN, cotter; 0.12" (3.2 mm) dia.; 1/5" (38 mm) long	1	21†	164–837	GLAND, male	1
3	100–111	NUT, jam; 0.5–20	1	22†	165–287	BEARING, PTFE	2
4*	100–279	BALL, steel; 0.88" (22.4 mm) dia.	1	23†	165–288	GLAND, female	1
5*	101–178	BALL, steel; 1.25" (31.8 mm) dia	1	24	165–297	ROD, tie; 4.75" (119 mm)	3
6	101–566	NUT, lock; 0.19 thd	3	25	166–033	NUT, swivel	1
8†	164–623	O-RING, PTFE	1	26	186–986	CYLINDER, stainless steel	1
9*	156–082	O-RING, nitrile rubber	1	27	169–504	ROD, displacement	1
10	156–989	SEAT, piston	1	29	171–594	WASHER, backup	2
11	157–184	HOUSING, piston	1	30*	204–762	SEAT, intake valve	1
13†	162–871	PACKING, cup; PTFE	2	33	222–308	ADAPTER, bung; with screw	1
14	158–857	SPACER, packing	1	34	205–997	AIR MOTOR; See manual 307–043 for parts	1
15	159–839	HOUSING, intake valve	1	35	208–312	NUT, packing	1
17	160–726	PIN, stop	1	36	192–188	HOUSING, outlet; 3/4 npt(f)	1
19†	162–866	V-PACKING; PTFE	4	37	208–314	ROD, piston	1

\* Recommended tool box spare parts. Keep these parts on hand to reduce down time.

† Included in Repair Kit 208–520.

**Model 205997, Series H**

**Air Motor Assembly**

Includes: 1, 3-19, 23, 25-34, 36-43

**Model 215363, Series B**

**Air Motor Assembly**

Includes: 1, 3-19, 21, 23, 25-34, 37-43

**Model 945972, Series A**

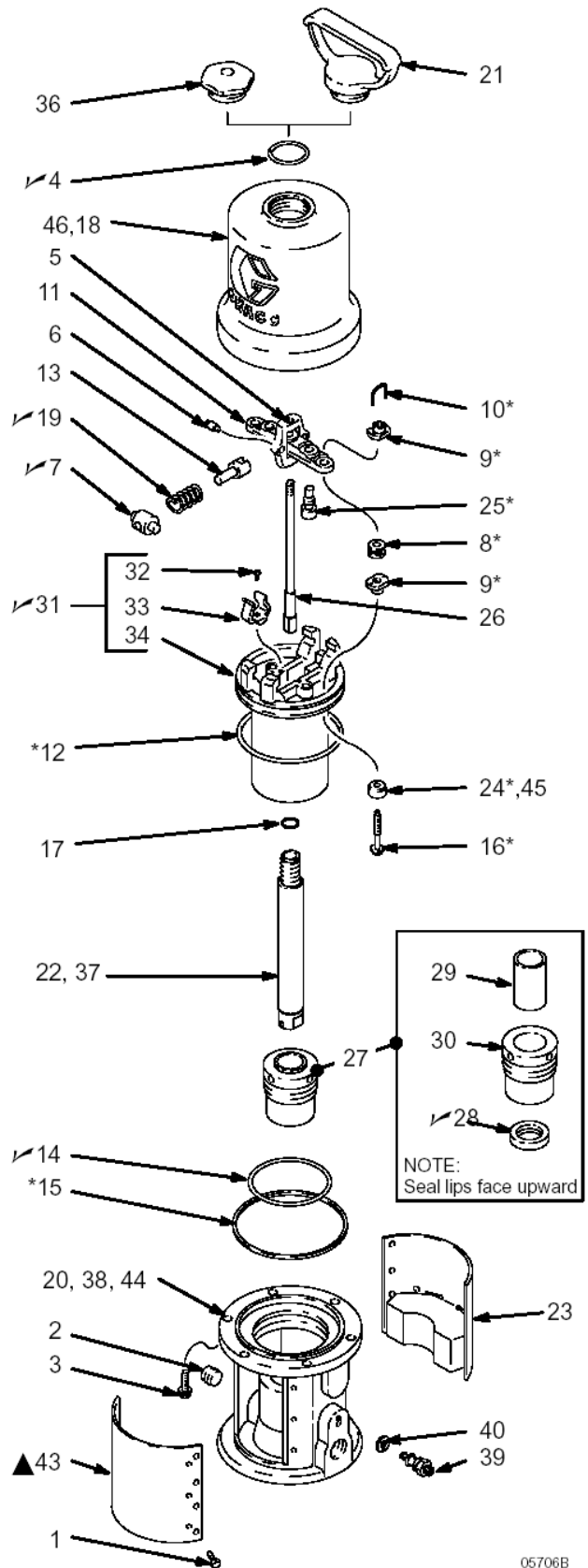
**Air Motor Assembly**

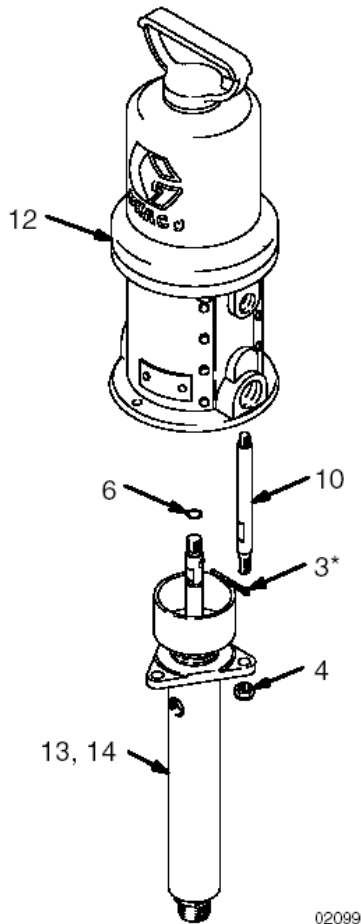
Includes: 1, 3-17, 19, 23-27, 32-34, 36 37, 39-46

**Model 222791, Series B**

**Air Motor Assembly**

Includes: 1-23, 25-34, 39-43





02099

**Model 223596, Series B,  
23:1 Ratio CST Monark® Pump (shown)**

*includes items 3, 4, 6, 10, 12, and 13*

**Model 237958, Series B,  
23:1 Ratio SST Monark® Pump**

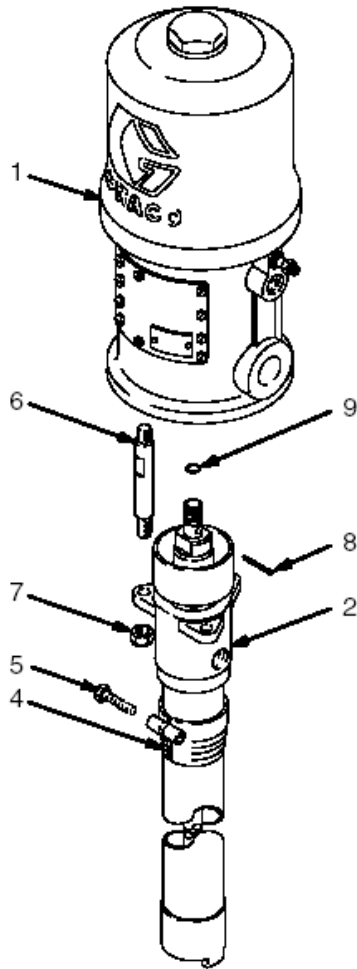
*includes items 3, 4, 6, 10, 12, and 14*

Ref No.	Part No.	Description	Qty
3*	101946	PIN, cotter, stainless steel, 0.12 in. (3.2 mm) x 1.5 in. (38 mm)	1
4	101566	NUT, lock, 3/8-16	3
6	154771	SEAL, o-ring, buna-N	1
10	164722	ROD, tie, carbon steel, 4.375 in. (112 mm) shoulder-to-shoulder	3
12	222791	AIR MOTOR see 307043 for parts	1
13	223595	DISPLACEMENT PUMP ASSY, carbon steel, for pump Model 223596 <i>see page 15 for parts.</i>	1
14	239145	DISPLACEMENT PUMP ASSY, stainless steel, for pump Model 237958 (not shown) <i>see page 17 for parts.</i>	1

\* This part is included in Repair Kit 239328, which may be purchased separately. See pages 15 and 17 for additional kit parts.

# Parts

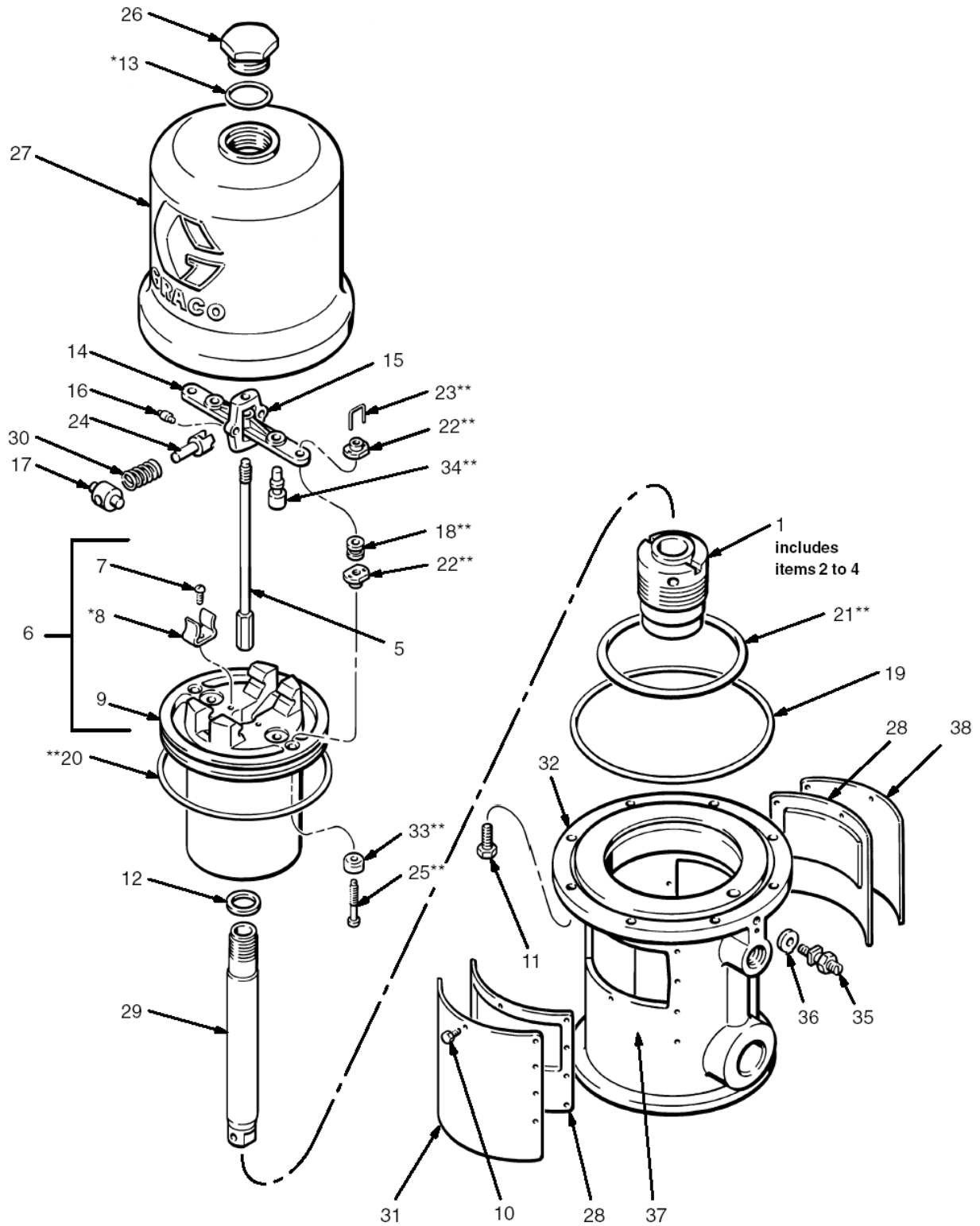
## Part No. 239326, Series A



Ref No.	Part No.	Description	Qty
1	207352	AIR MOTOR <i>see manual 306982</i>	1
2	220465	DISPLACEMENT PUMP ASSY, <i>see manual 307044</i>	1
3	222308	BUNG ADAPTER; consists of items 4 and 5	1
4	210834	. ADAPTER	1
5	104542	. CAPSCREW	1
6	166237	ROD, tie; carbon steel; 89 mm (3.5 in.) shoulder to shoulder	3
7	101566	NUT, lock, 3/8-16	3
8	100103	PIN, cotter, stainless steel	1
9	156082	O-RING; buna-N	1

# Parts

Model 207352, Series F  
for divorced mountings



# Parts

## Model 207352, Series F for divorced mountings

Ref No.	Part No.	Description	Qty	Ref No.	Part No.	Description	Qty
1	205529	PACKING NUT <i>includes items 2 to 4</i>	1	26	161435	NUT, cylinder cap	1
2	101524*	.SEAL, wiper; leather	1	27	162629	CYLINDER, motor, air	1
3	101526	.BEARING; bronze	1	28	178270	PLATE, muffler	2
4	164701	.NUT, packing	1	29	166235	ROD, piston	1
5	207150	TRIP ROD	1	30	167585	SPRING, helical compression	2
6	207391	PISTON <i>includes items 7 to 9 (also includes 207385 repair kit when ordered as a replacement part)</i>	1	31	177844	PLATE, identification	1
7	102975	.SCREW, rd hd mach; 6-32 x 1/4"	2	32	168656	BASE, motor, air	1
8	158361*	.CLIP, spring	2	33	170708**	POPPET, valve; urethane	2
9		.BARE PISTON <i>(not sold separately)</i>	1	34	170709**	POPPET, valve; urethane	2
10	100078	SCREW, hex head; 8-32 x 3/8"	20	35	104029	LUG, grounding	1
11	101578	SCREW, hex head Nylock; 8-32 x 3/8"	8	36	104582	WASHER, tab	1
12	150647	GASKET; copper	1	37	180233	LABEL, warning	2
13	156698*	O-RING; Buna-N	1	38▲	177843	PLATE, warning	1
14	158359	ACTUATOR, valve	1				
15	158360	YOKE, rod, trip	1				
16	158362	PIN, toggle	2				
17	158364	ROCKER, toggle	2				
18	158367**	GROMMET; rubber	2				
19	158377	SEAL, flat ring; nitrile rubber	1				
20	158378**	SEAL, o-ring; nitrile rubber	1				
21	158379**	SEAL, o-ring; nitrile rubber	1				
22	160261**	NUT, adjusting	4				
23	160618**	LOCKWIRE, transfer valve	2				
24	160623	ARM, toggle	2				
25	160896**	STEM, valve	2				

\* Recommended spare parts to keep on hand.

\*\* Included in Repair Kit 207385. Must be purchased separately.

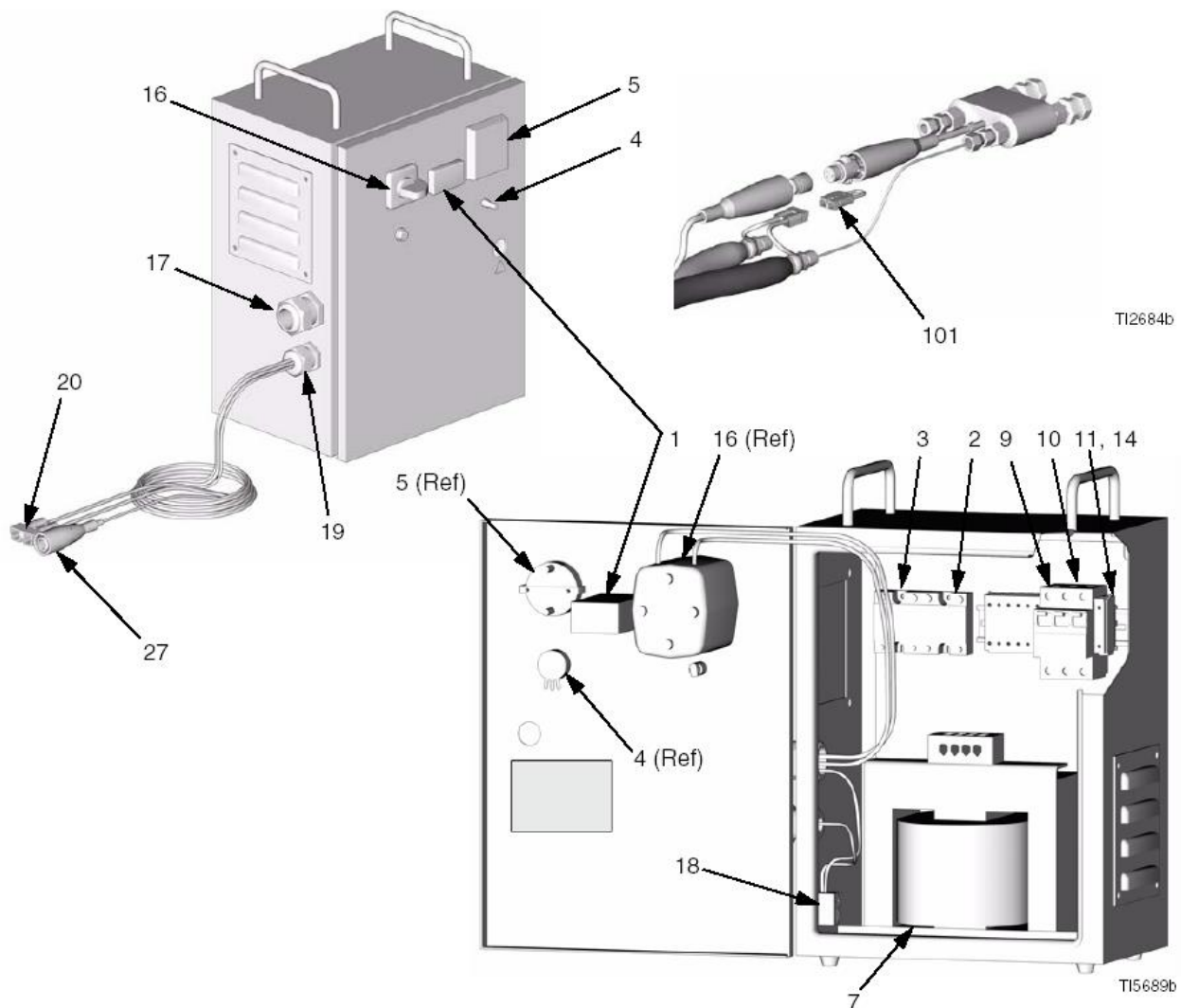
▲ If users of this equipment do not read English, you may order one of the following labels to apply to your air motor. Apply the label over the matching label on the air motor plate for good visibility. Do not cover the air exhaust holes. Order the labels free of charge directly from Graco. Contact your distributor to order.

German	290467
French	290466
Spanish	290468



# Parts

## 248921 Series A, Hose Heat Control Kit







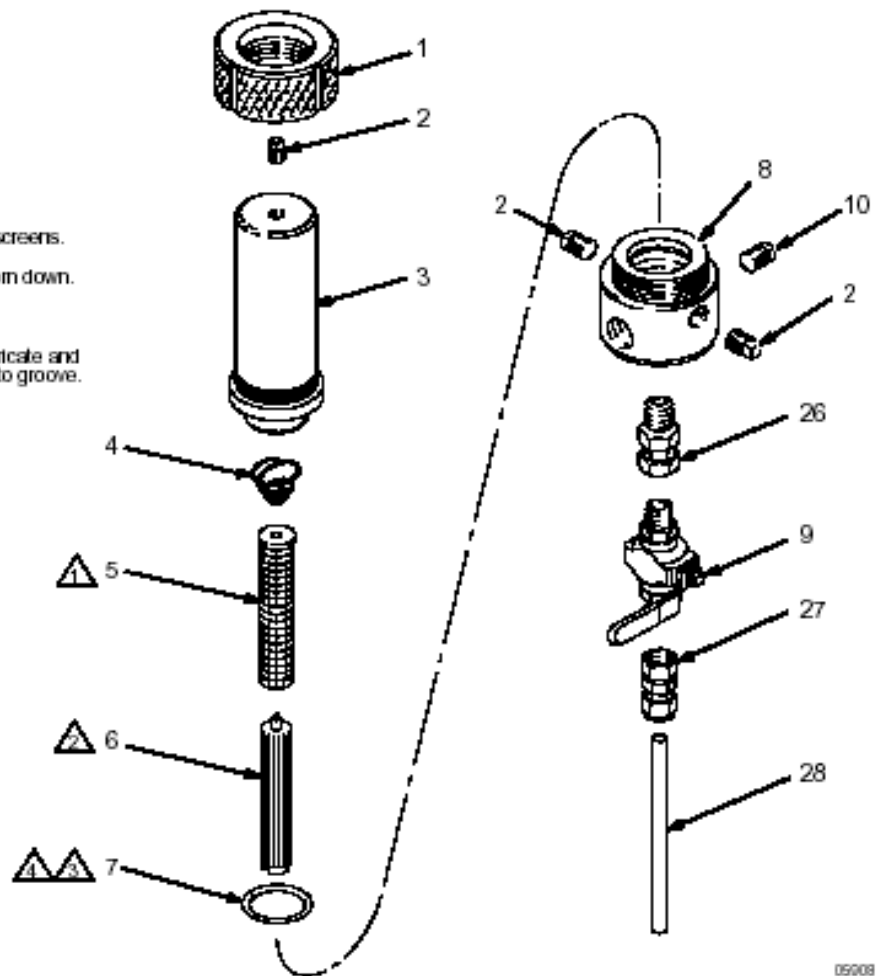
Ref. No.	Part No.	Description	Qty.	Ref. No.	Part No.	Description	Qty.
1	15F162	CONTROLLER, 240 V, dual display	1	14	15F167	FUSE, 250 V, 1-8 A	1
2	15F163	RELAY, solid state, 24-240 V, 75 A	1	16	15F168	DISCONNECT, electrical; 25 A	1
3	15F164	CONTROLLER, proportional, 240 V, 25 A	1	17	117682	STRAIN RELIEF, power cord	1
4	15F165	POTENTIOMETER	1	18	117666	TERMINAL, ground	1
5	15F166	METER, 0-50 A	1	19	115845	STRAIN RELIEF, cables	1
7	15B351	TRANSFORMER	1	20	15F161	CONNECTOR, electrical	1
9	117711	BREAKER, dual; 20 A	1	27	15F160	CABLE, hose	1
10	117503	BREAKER, single; 50 A	1	101	15C517	JUMPER, hose	1
11	514556	FUSEHOLDER, 10 A	1				

# Parts

## Model 238620, Series A

Includes items 1–28

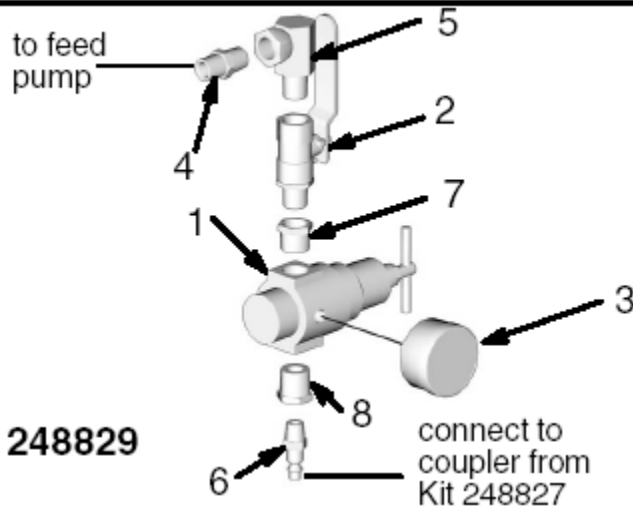
-  See Accessories for other available screens.
-  Replace filter support if ridges are worn down.
-  Lubricate.
-  Do not damage Teflon o-ring (7). Lubricate and bend into kidney shape, then push into groove.



05008

Ref No.	Part No.	Description	Qty	Ref No.	Part No.	Description	Qty
1	174058	RING, lock	1	9	223960	BALL VALVE, see 306861 for parts	1
2	104813	PLUG, pipe, 3/8 npt	3	10	104839	PLUG, pipe, 1/2 npt	1
3✓	174056	BOWL, filter	1	26	155665	UNION, adapter	1
4	171941	SPRING, conical compression	1	27	205448	COUPLING, swivel; 3/8 npsm(f)	1
5	167025	STRAINER, 60 mesh	1	28	186447	TUBE, drain; nylon; 1/4 in. (0.6 mm) ID; 5 in. (127 mm)	1
6	186075	SUPPORT, filter	1				
7✓	104804	PACKING, o-ring, Teflon®	1				
8	174061	MANIFOLD, paint filter	1				

✓ Keep these spare parts on hand to reduce down time.



T15686

**Model 248829**

**Ref**

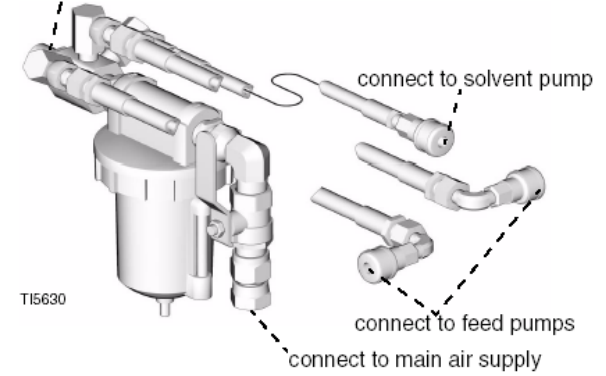
<b>No.</b>	<b>Part No.</b>	<b>Description</b>	<b>Qty</b>
1	104266	1/2" AIR REGULATOR	1
2	113333	VALVE, ball vented, 3/8 npt	1
3	101689	GAUGE, 0–200 psi (0–14 bar)	1
4	156849	NIPPLE, pipe, 3/8 npt	1
5	155494	UNION, swivel, 3/8 npt(m) x 3/8 npsm(f)	1
6	169970	FITTING, line air, 1/4 npt	1
7	100081	BUSHING, pipe, 1/2 x 3/8 npt	1
8	100206	BUSHING, pipe, 1/2 x 1/4 npt	1

# 248827

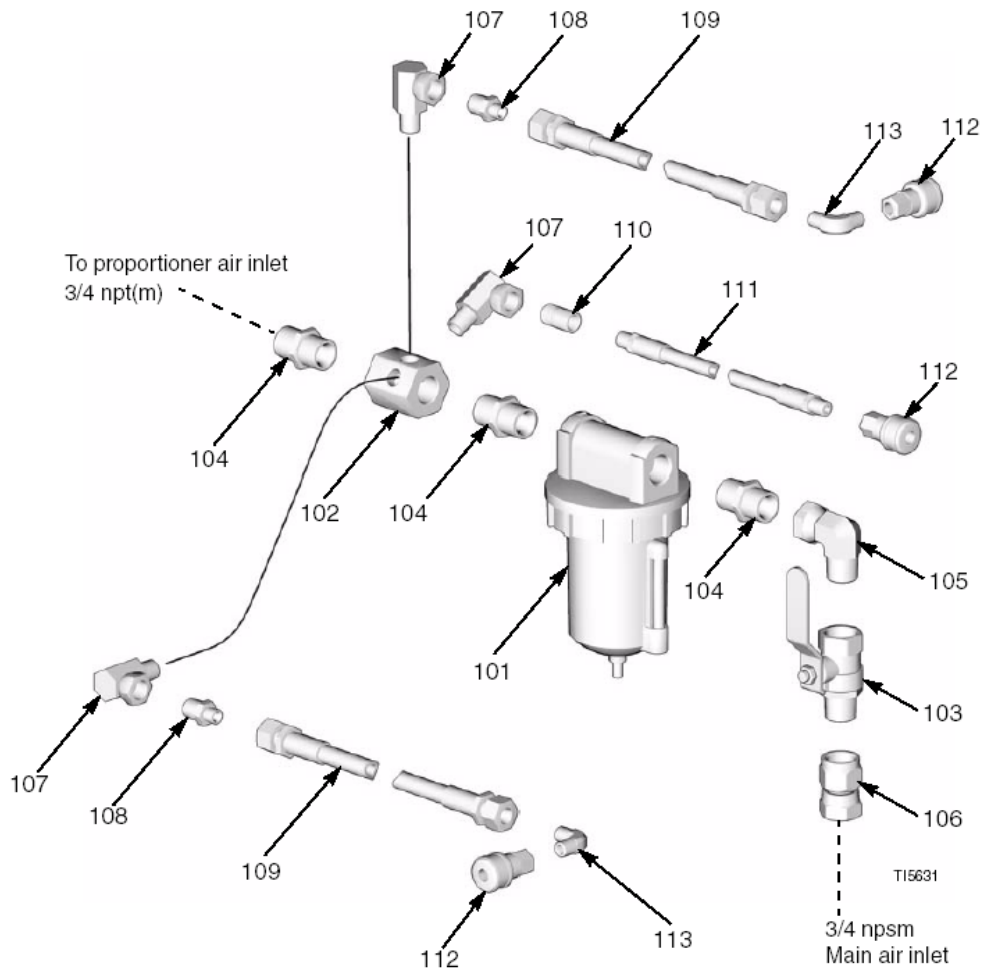
**Ref.**

No.	Part No.	Description	Qty
101	117628	FILTER, air, 3/4 npt (auto drain)	1
102	15E145	MANIFOLD, air distribution	1
103	107141	VALVE, ball, vented	1
104	160032	FITTING, nipple, 3/4 npt(m)	3
105	160327	UNION, adapter, 90°	1
106	156172	FITTING, union, swivel	1
107	155494	UNION, swivel, 90°	3
108	164672	ADAPTER	2
109	210866	HOSE, air; 1/4 npsm(fbe); 5/16 in. (8 mm) ID; 15 ft (4.57 m); buna-N	2
110	159841	ADAPTER	1
111	203266	HOSE, air; 1/4 npt(f); 22 in (.56 m)	1
112	208536	COUPLER, quick-disconnect	3
113	110249	ADAPTER, male elbow 90°	2

connect to proportioner air inlet



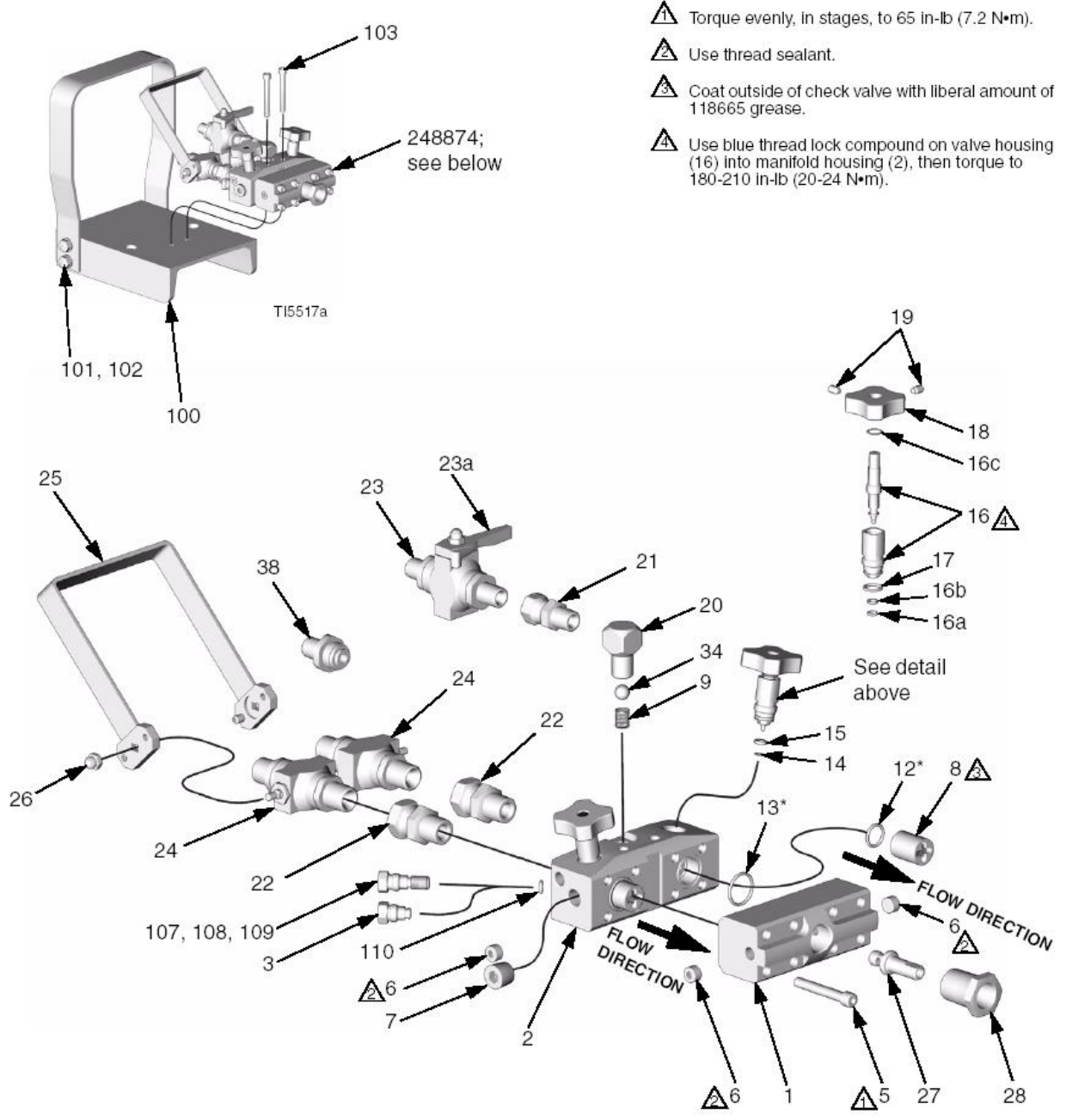
To install 248824 Agitator Kit, see manual 310863.



# Parts

248874 Mix Manifold, includes items 1-38, 110

248923 Remote Mix Manifold Kit, includes items 1-110



- ⚠ Torque evenly, in stages, to 65 in-lb (7.2 N•m).
- ⚠ Use thread sealant.
- ⚠ Coat outside of check valve with liberal amount of 118665 grease.
- ⚠ Use blue thread lock compound on valve housing (16) into manifold housing (2), then torque to 180-210 in-lb (20-24 N•m).

TI5517a

TI5555a

**248874 Mix Manifold, includes items 1-38, 110**

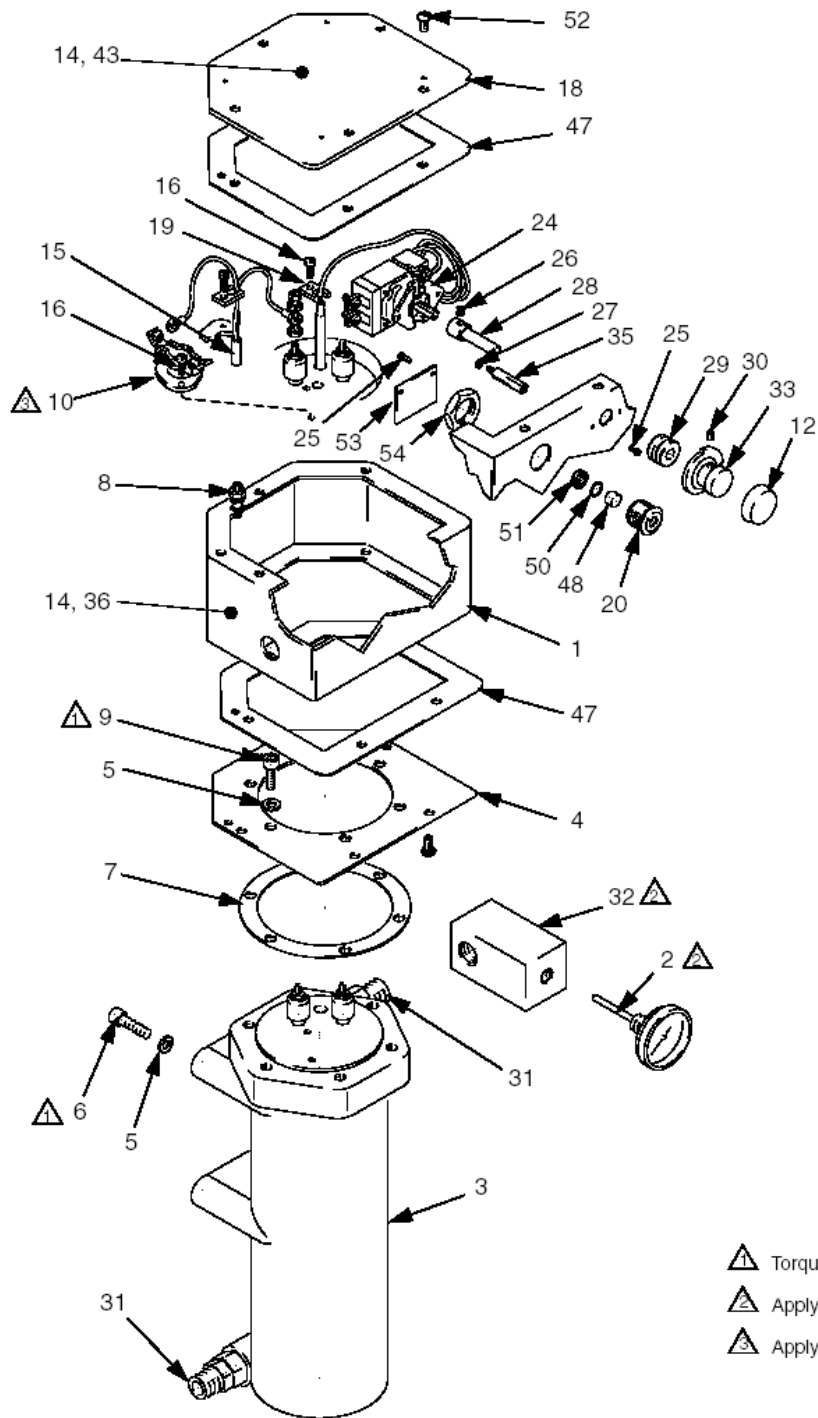
**248923 Remote Mix Manifold Kit, includes items 1-110**

Ref. No.	Part No.	Description	Qty.	Ref. No.	Part No.	Description	Qty.
1	15E364	HOUSING, lower; sst	1	24†	237304	VALVE, ball; 3/8 npt (mbe); see 306861; discard supplied lever and replace with item 25	2
2	15E365	HOUSING, upper; sst	1				
3	15E370	PLUG, restrictor; sst	2	25	248938	HANDLE, shutoff, resin/hardener	1
5	596936	SCREW, cap, socket-hd; 1/4-20 x 1-1/2 in. (38 mm)	8	26	102310	NUT, hex, with nylon cap; 10-32	2
6	110208	PLUG, pipe; 1/8 npt; sst	4	27	15E368	TUBE, inner; sst	1
7	101970	PLUG, pipe; 1/4 npt; sst	2	28	15E369	BUSHING, pipe; 1/2 npt(m) x 3/8 npt(f); sst	1
8	249035	CHECK VALVE	2	34	101947	BEARING, ball; 3/8 in. (10 mm) diameter; sst	1
12*	104319	O-RING; TFE	2	38	165274	STUD, optional inlet; 1/4 npt x 11/16-27 uns-2a (standard on Part No. 248923)	1
13*	110135	O-RING; TFE	2				
14	113618	GASKET; nylon	2	100	248778	GUARD, manifold; includes items 101-102	1
15	15E137	SEAT; sst	2	101	100575	. SCREW, cap, hex hd; 3/8-16 x 5/8 in. (16 mm)	4
16	248641	RETAINER, with needle, solvent purge; includes items 16a-16c	2	102	100133	. WASHER, lock; 3/8	4
16a	246354	. O-RING; chemically resistant fluoroelastomer; package of 6	1	103	100642	SCREW, cap, socket-hd; 1/4-20 x 2 in. (51 mm)	2
16b	118466	. RING, backup; TFE	1	107	15E373	RESTRICTOR; .024; sst	1
16c	119372	. RING, retaining	1	108	15E374	RESTRICTOR; .032; sst	1
17	248648	O-RING; chemically resistant fluoroelastomer; package of 6	1	109	249037	SCREEN, filter; 40 mesh; package of 10	1
18	15E114	KNOB, valve, solvent purge	2	110	249036	O-RING; chemically resistant fluoroelastomer; package of 6	1
19	101366	SETSCREW; socket-hd; half dog point; 10-24 x 0.312 in. (8 mm)	4				
20	15E367	ELBOW, street; 1/4 npt (m x f); lapped	1				
21	156823	UNION, swivel; 1/4 npt (m x f)	1				
22	155665	UNION, adapter, swivel; 3/8 npt(m) x 3/8 npsm(f)	2				
23†	237303	VALVE, ball, solvent; 1/4 npt (mbe); see 306861; also order item 23a	1				
23a	178747	LEVER, solvent valve; replaces standard lever on item 23	1				

\* Parts included in Check Valve Kit 249035.

† Order Repair Kit 237917 for ball valves (23, 24).

# Non-Hazardous Location Heaters



## Non-Hazardous Location Heaters

Part No.	Series	Ref. No. 3 Heater Block Part No.	Volts / Watts
245867	A	246616	120 / 2300
245868	A	246617	200 / 4000
245869	A	246618	240 / 4000
245870	A	246619	480 / 4000
246276	A	246620	380 / 4000

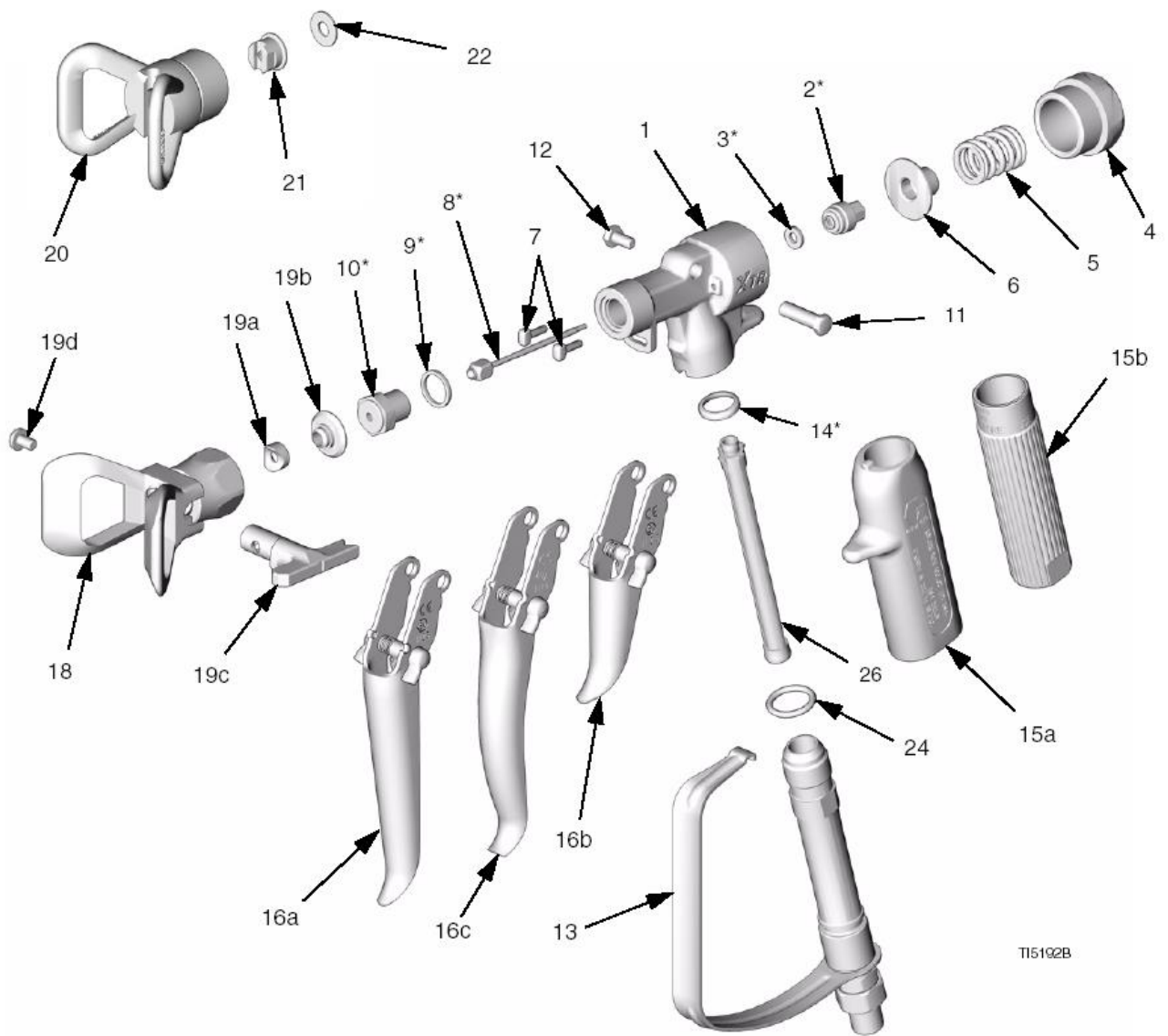
Ref. No.	Part No.	Description	Qty.
1	15A809	ENCLOSURE	1
2	102124	THERMOMETER DIAL	1
3		HEATER BLOCK; see table; includes ref. no. 2, 31, 32	1
4	15A811	BOTTOM COVER	1
5	107542	LOCKWASHER	1
6	109114	SCREW	6
7	15A990	GASKET	2
8	104029	GROUND CLAMP	2
9	117367	SCREW; M8 x 18 mm	6
10	108674	THERMOSTAT	1
11	235524	WIRE ASSEMBLY	1
12	177969	KNOB	1
13▲	177922	WARNING TAG	1
14	100055	SCREW; #6 type U	10
15	223126	THERMAL LIMIT SENSOR, 152°	1
16	105676	SCREW; M4 x 0.7 x 12 mm	4
18	15A810	TOP COVER	1
19	183072	BRACKET	2
20	15B828	LIGHT HOUSING	1
21	108664	ALLEN WRENCH; 6 mm	1

Ref. No.	Part No.	Description	Qty.
22	105747	ALLEN WRENCH; 2 mm	1
23	101369	ALLEN WRENCH; 0.0927"	1
24	108676	THERMOSTAT SWITCH	1
25	100032	SCREW; #6-32 UNC-2A	4
26	105672	SET SCREW	1
27	114027	WASHER, #6	2
28	183068	SWITCH SHAFT	1
29	112738	GROMMET	2
30	101366	SET SCREW; #10-24 x 0.312"	1
31	117344	FITTING; 5/8" OD tube x 1/2-14 npt(m)	2
32	15A808	T-FITTING	1
33	177968	KNOB	1
35	117526	SPACER	2
36▲	15B623	WARNING PLATE, English	1
	15B777	WARNING PLATES, multilingual	1
37	246346	WIRE ASSEMBLY	2
42	102478	TIE STRAP	1
43▲	15B625	WARNING PLATE, English	1
	15B819	WARNING PLATE, multilingual	1
47	15A991	GASKET	1
48	15B827	LIGHT LENS	1
50	103338	O-RING; Viton	1
51	117483	SOCKET JAM SCREW; 5/8-18 x 5/16	1
52	111962	SCREW; 1/4-28 UNRF-3A	10
53	246014	LIGHT CIRCUIT BOARD	1
54	106216	NUT; 3/4-14 npsm	1
55	100633	ALLEN WRENCH; 5/32	1

▲ Replacement Danger and Warning labels, tags and cards are available at no cost.



# XTR 7 Parts / Pièces composant le XTR 7 / Teile XTR 7 / Piezas de la XTR 7



T15192B

# XTR 7 Parts List / Nomenclature XTR 7 / Teileliste XTR 7 / Lista de piezas de la XTR 7

Part Nos. 248609, 248610, 248611, 248612, 248613, 248614

Réf. No: 248609, 248610, 248611, 248612, 248613, 248614

Teile-Nr. 248609, 248610, 248611, 248612, 248613, 248614

Ref. piezas: 248609, 248610, 248611, 248612, 248613, 248614

Ref. No.	Part No.	Description	Qty.	Ref. No.	Part No.	Description	Qty.
1	15E178	BODY, gun	1	22†	166969	TIP, gasket (248610 only)	1
2*	----	SEAL, retainer assembly	1	24	119740	O-RING, packing (included with item 13)	1
3*	----	GASKET	1	26	287032	FILTER, 60 mesh (included with gun)	1
4	15A864	CAP, end	1		287033	FILTER, 100 mesh	
5	117350	SPRING, compression	1		287034	FILTER, 60 and 100 mesh combo	
6	15E088	RETAINER, needle	1	29▲	222385	WARNING CARD	1
7	15E085	PIN, actuator	2	34▲	187346	WARNING TAG	1
8*	----	STEM, valve	1	35*	194744	TOOL, installation, packing	1
9*	156766	GASKET	1	<p>* Parts included in Repair Kit 248837, purchased separately. Installation tool (35) included.  <i>Pièces comprises dans le kit de réparation 248837, achetées séparément. Outil de montage (35) compris.</i>  <i>Teile, die im separat erhältlichen Reparatursatz 248837 enthalten sind. Ein Installationswerkzeug (35) ist im Satz enthalten.</i>  <i>Incluidas en el kit de reparación 248837, que puede ser comprado por separado. Se incluye la herramienta de instalación (35).</i></p> <p>▲ Replacement Danger and Warning labels, tags, and cards are available at no cost.  <i>Des étiquettes, plaques et fiches de danger et de mise en garde de rechange sont mises à disposition gratuitement. Zusätzliche Gefahren- und Warnschilder, Aufkleber und Karten sind kostenlos erhältlich.</i>  <i>Se encuentran disponibles etiquetas de peligro y de advertencia, adhesivos y tarjetas de recambio sin cargo alguno.</i></p> <p>† Parts included in Kit 240251, purchased separately.  <i>Pièces incluses dans le kit 240251 acheté séparément. Diese Teile sind im Reparatursatz 240251 enthalten, der separat zu bestellen ist.</i>  <i>Estas piezas están incluidas en el kit de reparación 240251, que se puede adquirir por separado.</i></p>			
10*	----	SEAT, valve	1				
11	----	PIN, pivot (included with items 16a, 16b, 16c)	1				
12	----	SCREW, cap hex hd (included with items 16a, 16b, 16c)	1				
13	248952	HANDLE, tube assembly (includes item 24) swivel included, not sold separately	1				
14*	179733	SEAL, sleeve	1				
15a	276997	HANDLE, gun (see table below)	1				
15b	15E083	HANDLE, gun (see table below)	1				
16a	287449	TRIGGER (see table below)	1				
16b	287450	TRIGGER (see table below)	1				
16c	287451	TRIGGER (see table below)	1				
18	245994	RETAINER, RAC tip (not included with 248610)	1				
19	GHDxxx	SWITCH, tip 519 size included (includes items 19a - 19d) (see table below)	1				
19a	----	SEAL, fluid	1				
19b	----	GASKET	1				
19c	----	TIP, spray hd RAC	1				
19d	----	SCREW, mach pn h	1				
20†	220222	TIP, guard (248610 only)	1				
21	163519	SPRAY TIP, flat, 519 size (248610 only)	1				

Gun Part No. No. réf. Pistolet Teile-Nr. Pistole Ref. pieza de la pistola	Reference Nos. / N° de repère / Pos.-Nr. / N° referencia					
	15a	15b	16a	16b	16c	19
248609		✓	✓			
248610		✓	✓			
248611	✓				✓	✓
248612	✓			✓		✓
248613		✓	✓			✓
248614		✓		✓		✓